



California Faucets®

# POETTO™

## CULINARY KITCHEN FAUCET

### Features

- All brass construction
- 360° rotating arm with magnetic docking to secure sprayhead
- Flexible closed coil stainless steel spring
- One button operation brass sprayhead has dual function aerated or spray mode
- Spray jets have easy-to-clean surface that withstands mineral build-up
- Ceramic disc cartridge
- 1.8 gpm (6.8 L/min) max flow rate
- Over 30 finishes including 15 PVD finishes

CF-K50-150-XX  
CF-K50-150F-XX



### Codes/Standards Applicable

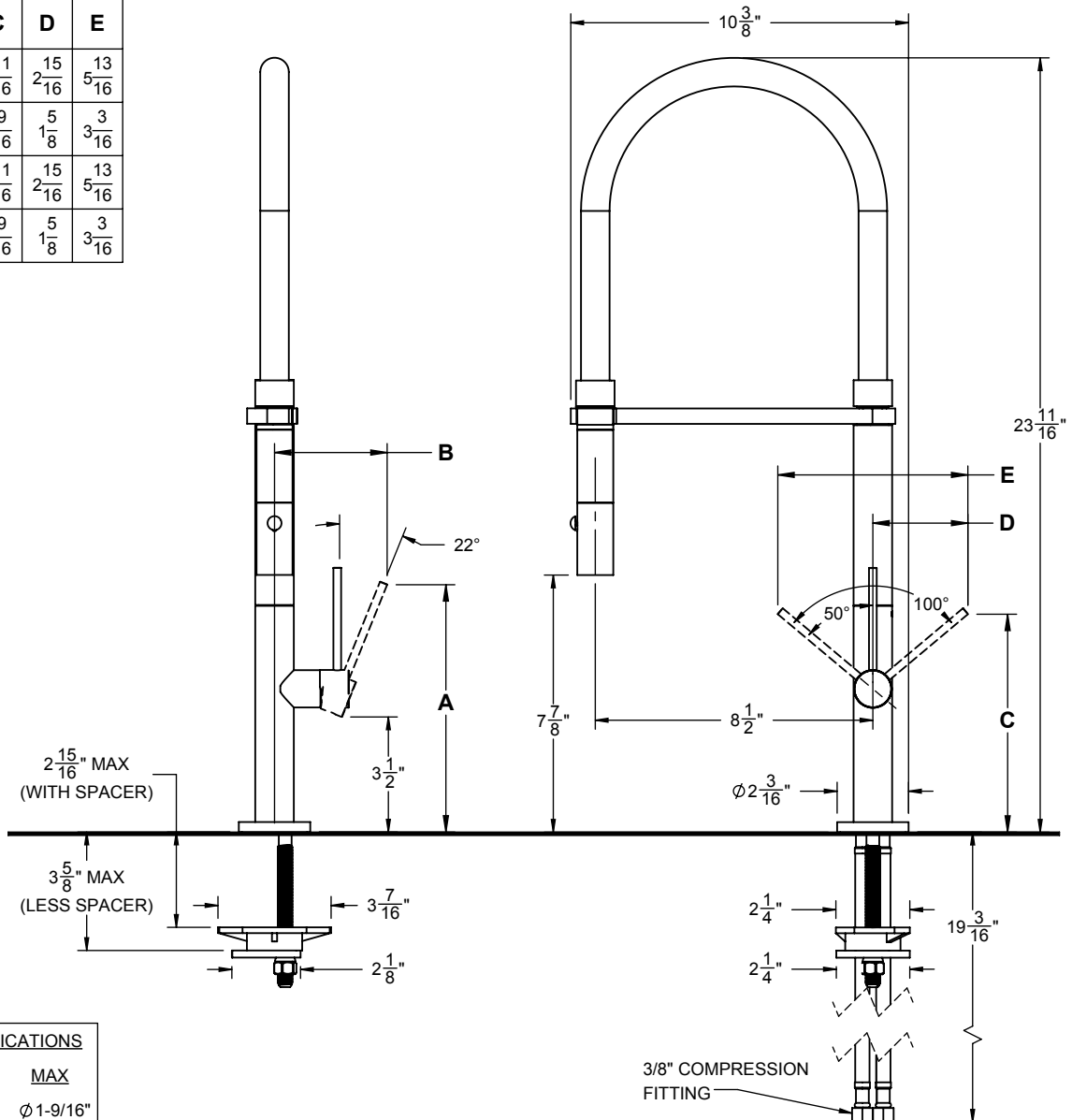
Meets or exceeds the following at date of manufacture:

- ASME A112.18.1/CSA B125.1
- NSF 61 and NSF 372
- CEC / DOE
- Commonwealth of MA
- ADA Compliant

CF-K50-150-BST SHOWN

XX = DENOTES HANDLE STYLE

DIMENSIONS (in.)					
XX HANDLE	A	B	C	D	E
BST	7 <sup>9</sup> / <sub>16</sub>	3 <sup>7</sup> / <sub>16</sub>	11 <sup>11</sup> / <sub>16</sub>	15 <sup>2</sup> / <sub>16</sub>	13 <sup>13</sup> / <sub>16</sub>
BSST	6	2 <sup>13</sup> / <sub>16</sub>	5 <sup>9</sup> / <sub>16</sub>	5 <sup>5</sup> / <sub>8</sub>	3 <sup>3</sup> / <sub>16</sub>
ST	7 <sup>9</sup> / <sub>16</sub>	3 <sup>7</sup> / <sub>16</sub>	11 <sup>11</sup> / <sub>16</sub>	15 <sup>2</sup> / <sub>16</sub>	13 <sup>13</sup> / <sub>16</sub>
SST	6	2 <sup>13</sup> / <sub>16</sub>	5 <sup>9</sup> / <sub>16</sub>	5 <sup>5</sup> / <sub>8</sub>	3 <sup>3</sup> / <sub>16</sub>



THROUGH-HOLE SPECIFICATIONS		
MIN	RECOMENDED	MAX
Ø 1-1/4"	Ø 1-3/8"	Ø 1-9/16"

SPECIFICATIONS SUBJECT TO CHANGE WITHOUT NOTICE

ALL DIMENSIONS SHOWN TO NEAREST 1/16"