



California Faucets®

Descanso®

SQUEEZE LEVER PULL DOWN KITCHEN FAUCET - 2 BEND SPOUT

Features

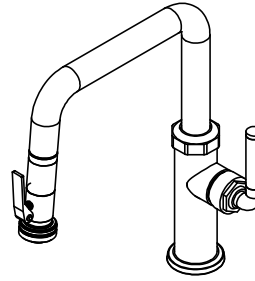
- Over 28 finishes including 13 PVD finishes
- All brass construction
- 360° rotating spout
- PDS™ "Positive Docking System" secures sprayhead into spout
- Squeeze lever switches between aerated and spray modes
- Spray jets have easy-to-clean surface that withstands mineral build-up
- Quiet polymer-braided hose with rotating joint at sprayhead allows for smooth and non-binding use
- Ceramic disc cartridge
- Max flow rate: 1.8 gpm (6.8 L/m)

Codes/Standards Applicable

Meets or exceeds the following at date of manufacture:

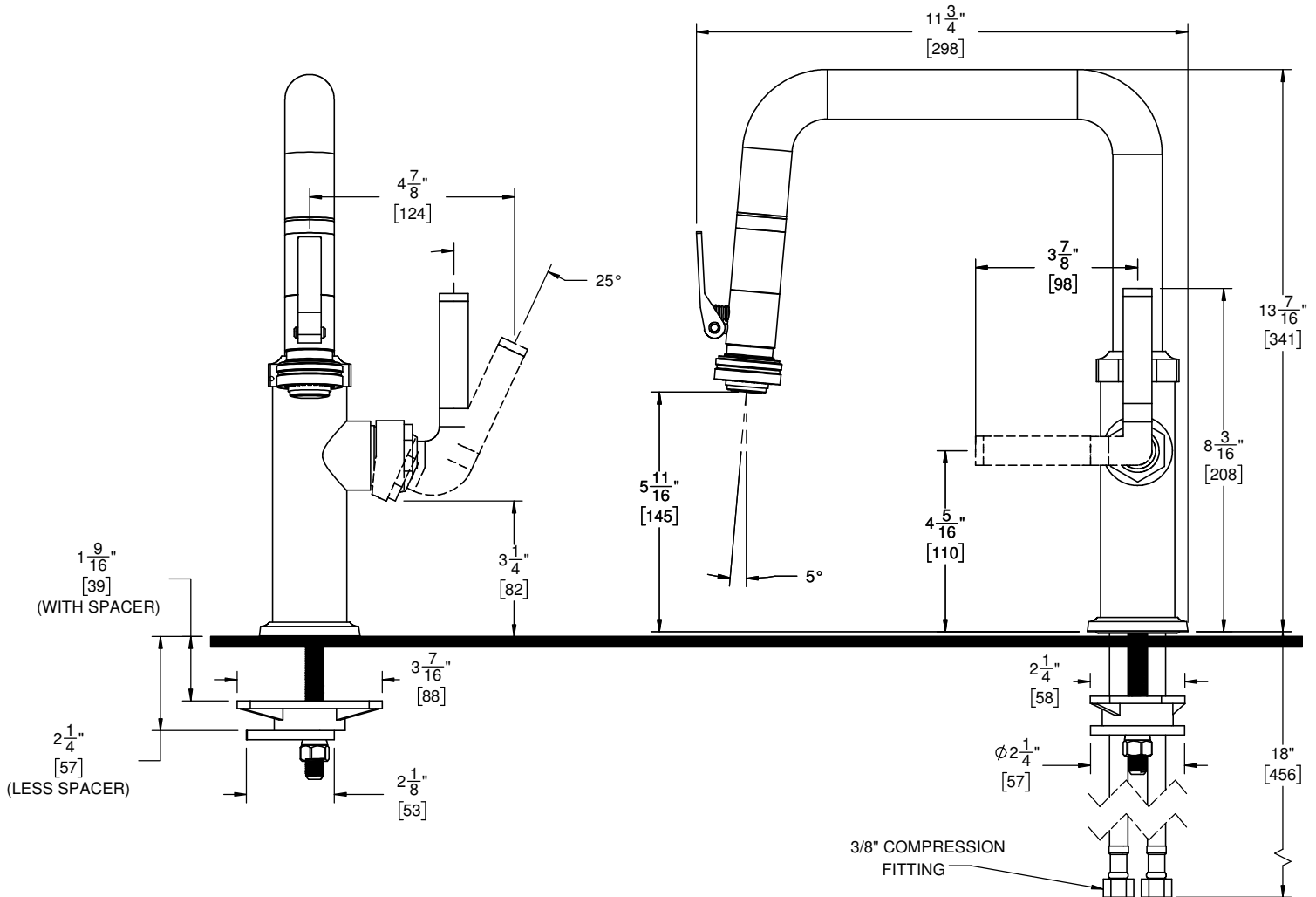
- ASME A112.18.1/CSA B125.1
- NSF 61 and NSF 372
- CEC / DOE
- Commonwealth of MA
- ADA Compliant

CF-K30-103SQ-FL
CF-K30-103SQ-KL
CF-K30-103SQ-SL



CF-K30-103SQ-FL-ZZ SHOWN

XX = DENOTES HANDLE STYLE



THROUGH-HOLE SPECIFICATIONS		
MIN	RECOMMENDED	MAX
Ø 1-1/4"	Ø 1-3/8"	Ø 1-3/8"

SPECIFICATIONS SUBJECT TO CHANGE WITHOUT NOTICE

ALL DIMENSIONS SHOWN TO NEAREST 1/16"
[ALL DIMENSIONS SHOWN TO NEAREST 1MM]"