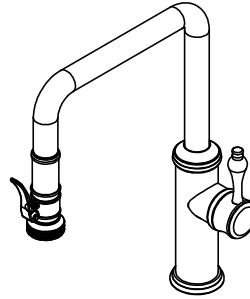


Features

- Over 28 finishes including 13 PVD finishes
- All brass construction
- 360° rotating spout
- PDS™ "Positive Docking System" secures sprayhead into spout
- Squeeze lever switches between aerated and spray modes
- Spray jets have easy-to-clean surface that withstands mineral build-up
- Quiet polymer-braided hose with rotating joint at sprayhead allows for smooth and non-binding use
- Ceramic disc cartridge
- Max flow rate: 1.8 gpm (6.8 L/m)

CF-K10-103SQ-XX



CF-K10-103SQ-42-ZZ SHOWN

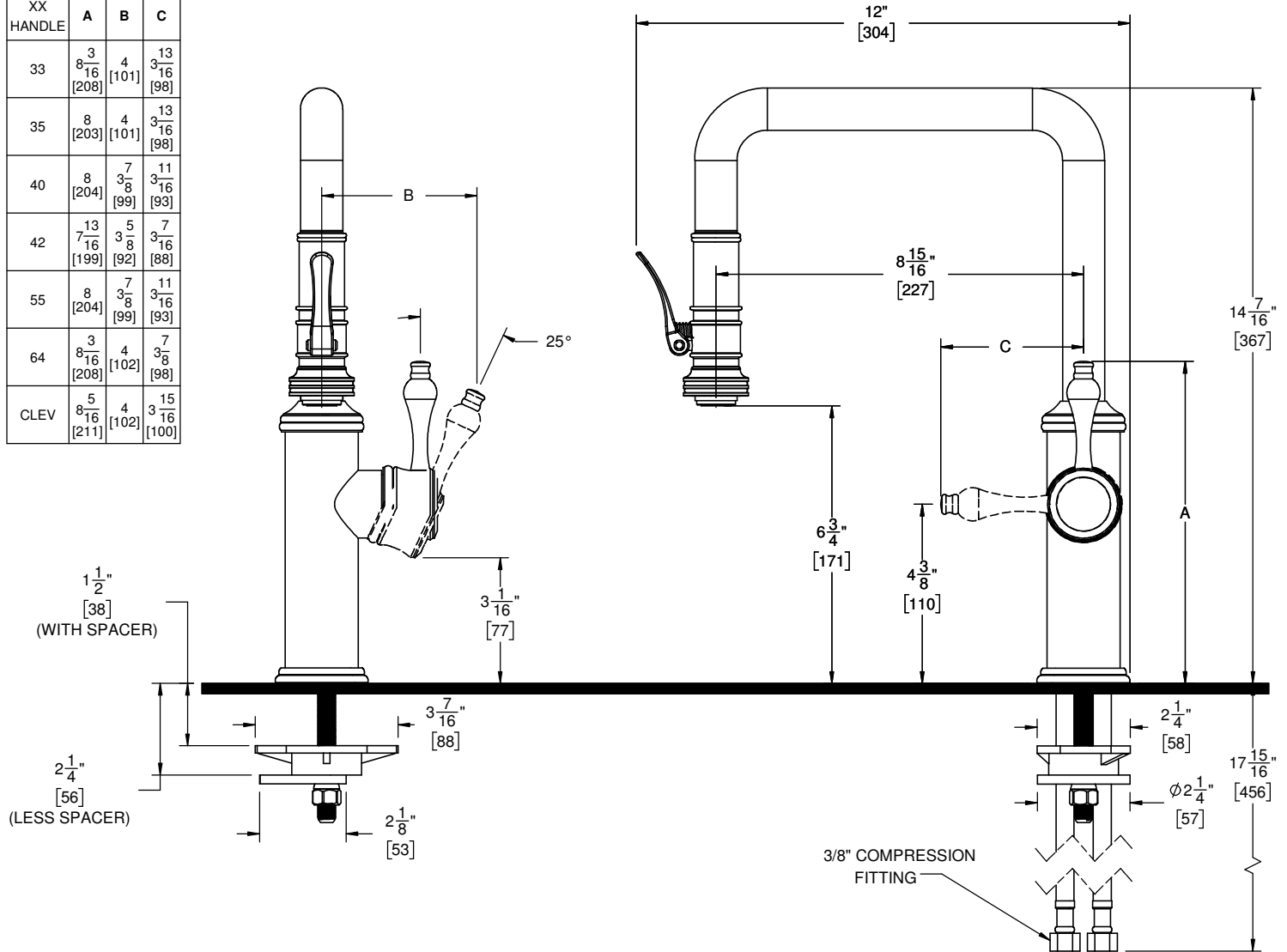
XX = DENOTES HANDLE STYLE

Codes/Standards Applicable

Meets or exceeds the following at date of manufacture:

- ASME A112.18.1/CSA B125.1
- NSF 61 and NSF 372
- CEC / DOE
- Commonwealth of MA
- ADA Compliant

DIMENSIONS, in.[mm]			
XX HANDLE	A	B	C
33	8 ³ / ₁₆ [208]	4 [101]	13 ³ / ₁₆ [98]
35	8 [203]	4 [101]	13 ³ / ₁₆ [98]
40	8 [204]	7 ³ / ₈ [99]	11 ³ / ₁₆ [93]
42	13 ⁷ / ₁₆ [199]	5 ³ / ₈ [92]	7 ³ / ₁₆ [88]
55	8 [204]	7 ³ / ₈ [99]	11 ³ / ₁₆ [93]
64	8 ³ / ₁₆ [208]	4 [102]	7 ³ / ₈ [98]
CLEV	5 ⁸ / ₁₆ [211]	4 [102]	15 ³ / ₁₆ [100]



THROUGH-HOLE SPECIFICATIONS		
MIN	RECOMMENDED	MAX
φ 1-1/4"	φ 1-3/8"	φ 1-3/8"

SPECIFICATIONS SUBJECT TO CHANGE WITHOUT NOTICE

ALL DIMENSIONS SHOWN TO NEAREST 1/16"
[ALL DIMENSIONS SHOWN TO NEAREST 1MM]