



California Faucets®

Arpeggio™

SINGLE HOLE LAVATORY FAUCET

CF-E401-1

Features

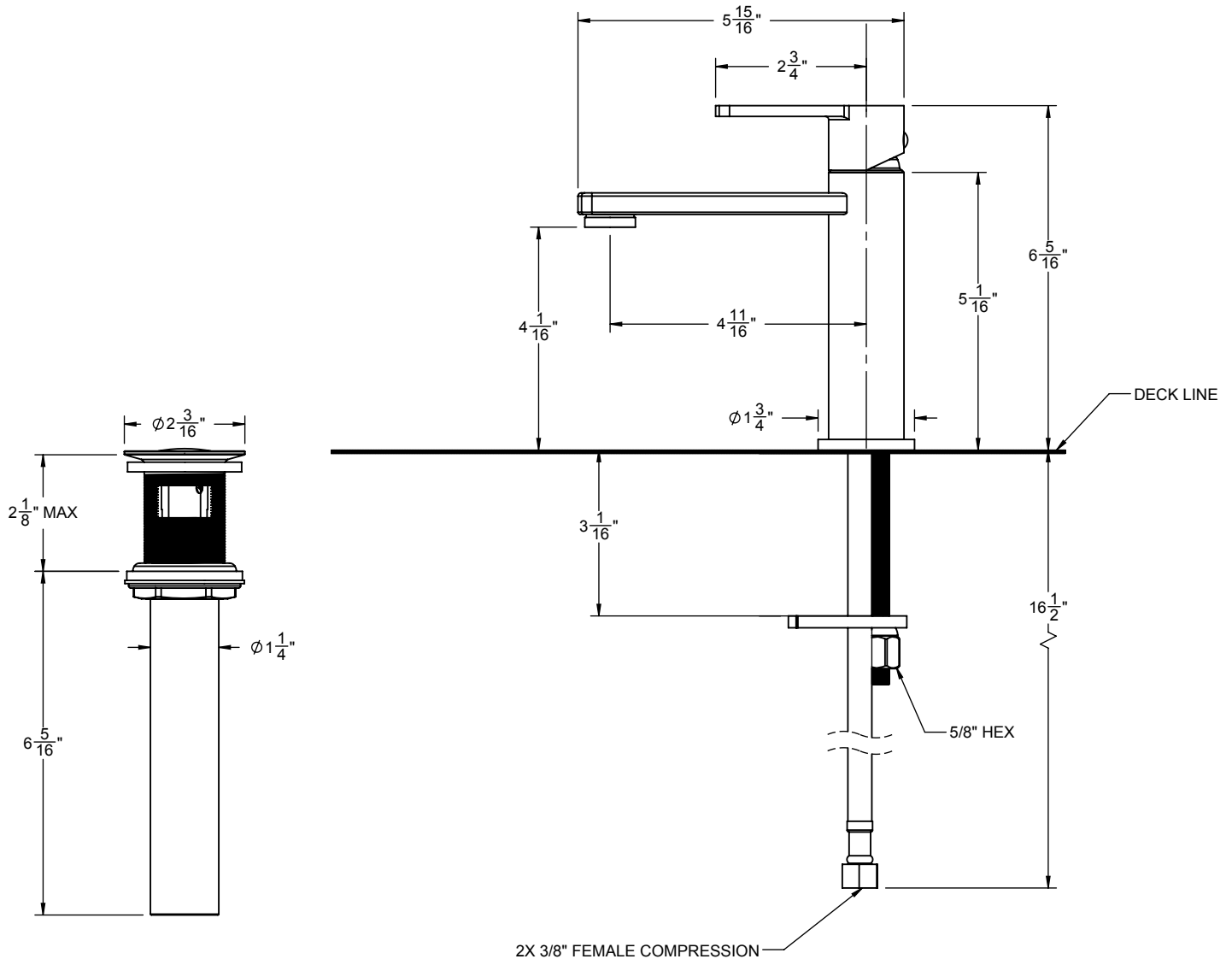
- 4-11/16" spout center to center
- Single handle operation cartridge with ceramic disk
- Flexible braided hoses for ease of installation
- ϕ 1-1/4" all brass touch style pop up drain assembly
- 1.2 gpm (4.5 L/m) max flow rate
- All brass construction
- Over 30 finishes including 15 PVD finishes



Codes/Standards Applicable

Product meets or exceeds the following:

- ASME A112.18.1/CSA B125.1
- NSF/ANSI 61 & NSF/ANSI 372
- CEC / DOE
- Commonwealth of MA
- EPA WaterSense High Efficiency Lavatory
- ADA compliant



THROUGH-HOLE SPECIFICATIONS		
	MIN	RECOMMENDED
SPOUT:	ϕ 1-1/4"	ϕ 1-3/8"
DRAIN:	ϕ 1-1/2"	ϕ 1-3/4"