

California Faucets®

INDUSTRIAL SINGLE HANDLE COMBO WATER DISPENSER

KITCHEN

Features

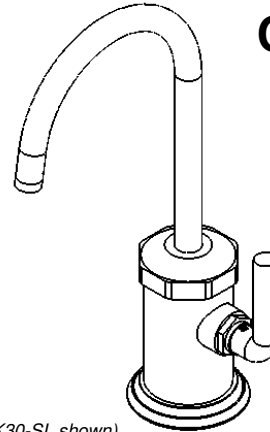
- All brass construction
- Insulated body & spout to reduce heat to faucet
- Self-closing for hot water
- Max flow rate: 0.5 gpm (1.9 L/min); may vary based on hot water tank used
- Over 30 finishes including 15 PVD finishes
- Requires separate Hot Water Tank (9628SS)

Codes/Standards Applicable

Meets or exceeds the following at date of manufacture:

- ASME A112.18.1/CSA B125.1
- NSF 61 and NSF 372
- CEC & DOE
- Commonwealth of MA
- ADA compliant

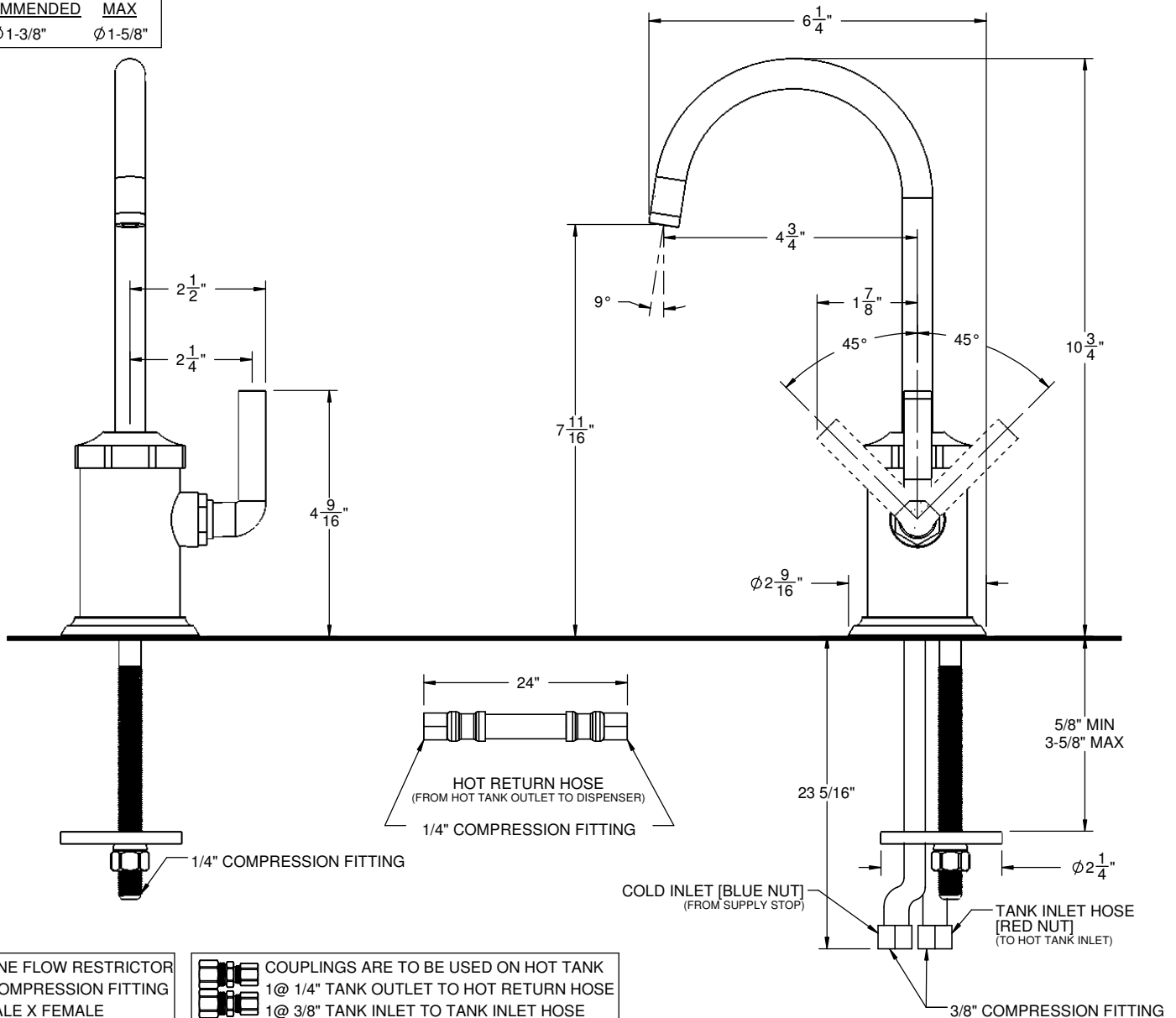
CF-9623-K30-XX



(CF-9623-K30-SL shown)

THROUGH HOLE SPECIFICATIONS

MIN	RECOMMENDED	MAX
Ø 1-1/4"	Ø 1-3/8"	Ø 1-5/8"



SPECIFICATIONS SUBJECT TO CHANGE WITHOUT NOTICE

ALL DIMENSIONS SHOWN TO NEAREST 1/16"