

California Faucets®

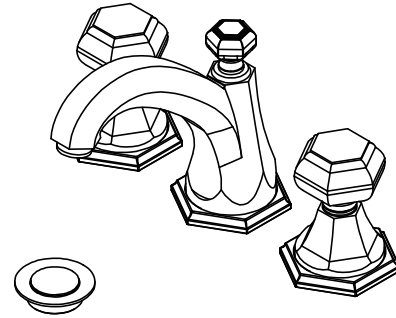
# Sunset™

## WIDESPREAD LAVATORY FAUCET

### CF-5102

#### Features

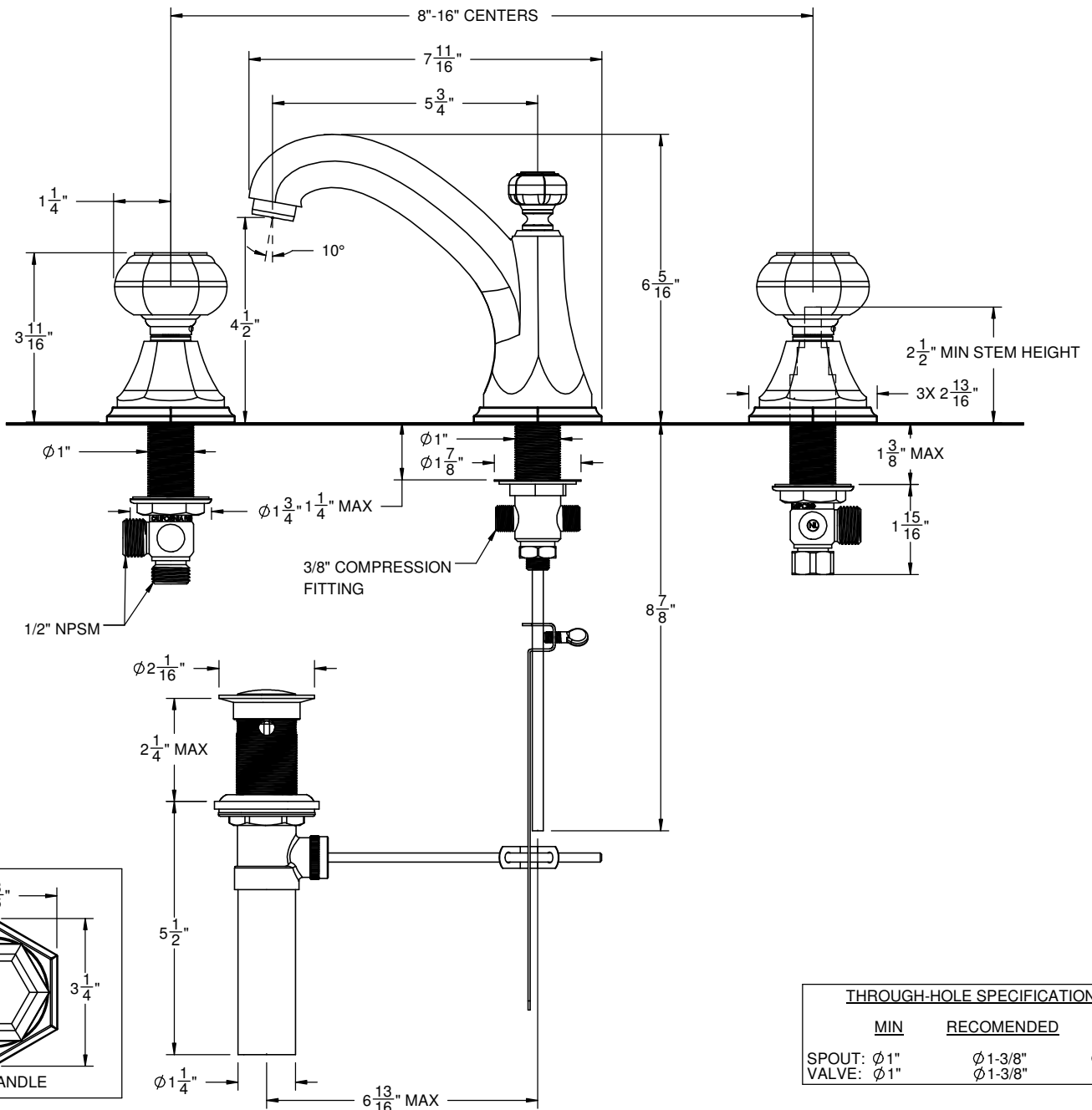
- 5-3/4" spout center to center
- 1/4 turn ceramic disc cartridge(s)
- Flexible braided hoses for ease of installation
- $\phi$  1-1/4" all brass lift rod style pop up drain assembly
- 1.2 gpm (4.5 L/min) max flow rate
- Solid brass construction
- Over 30 finishes including 15 PVD finishes



#### Codes/Standards

Product meets or exceeds the following:

- ASME A112.18.1/CSA B125.1
- NSF/ANSI 61 & NSF/ANSI 372
- CEC
- EPA WaterSense High Efficiency Lavatory



THROUGH-HOLE SPECIFICATIONS		
MIN	RECOMENDED	MAX
SPOUT: $\phi$ 1"	$\phi$ 1-3/8"	$\phi$ 1-5/8"
VALVE: $\phi$ 1"	$\phi$ 1-3/8"	$\phi$ 1-1/2"

SPECIFICATIONS SUBJECT TO CHANGE WITHOUT NOTICE

ALL DIMENSIONS SHOWN TO NEAREST 1/16"