



California Faucets®

Monterey™

WIDESPREAD LAVATORY FAUCET

CF-4602

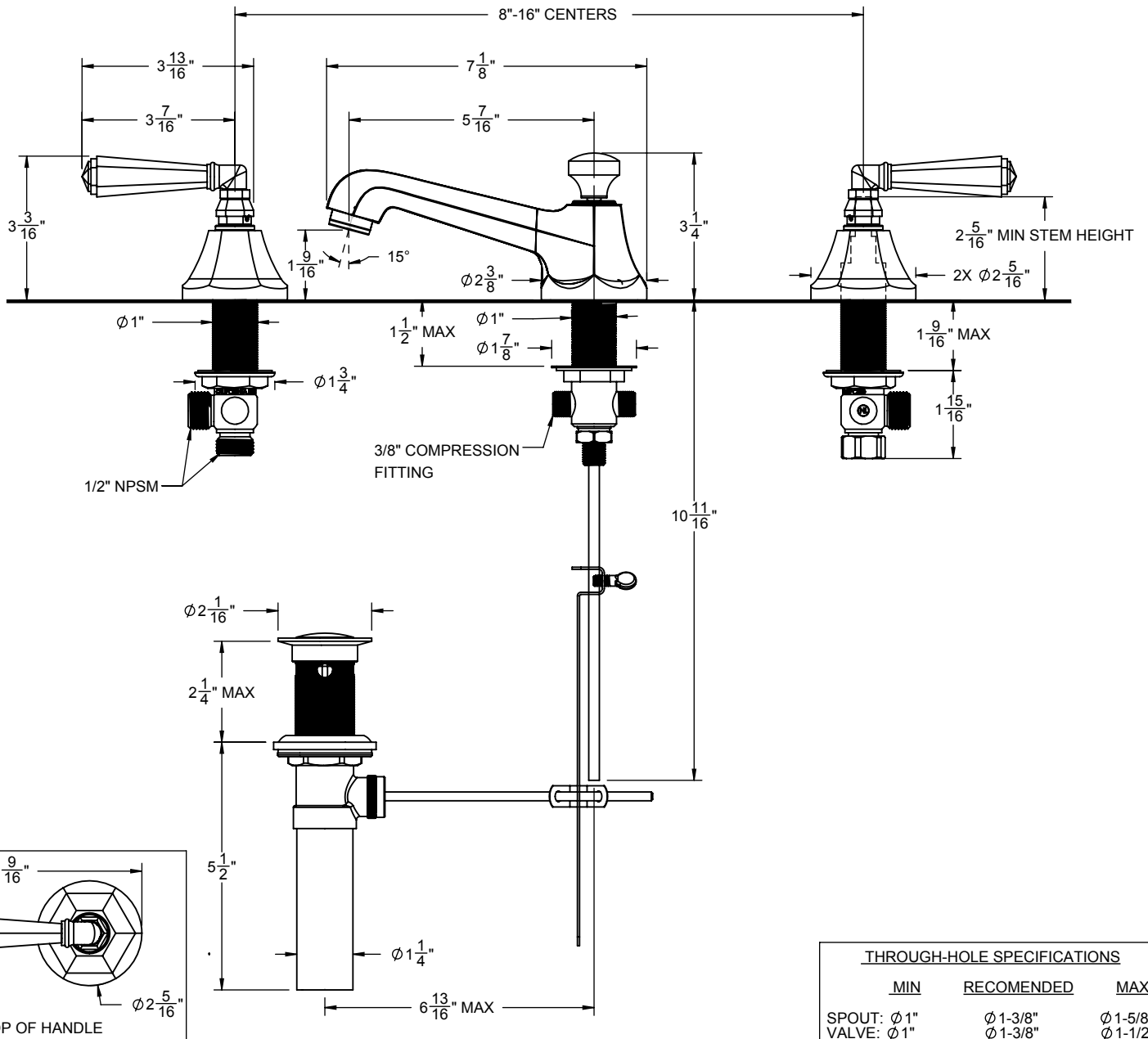
Features

- 5-7/16" spout center to center
- 1/4 turn ceramic disc cartridge(s)
- Flexible braided hoses for ease of installation
- ϕ 1-1/4" all brass lift rod style pop up drain assembly
- 1.2 gpm (4.5 L/min) max flow rate
- All brass construction
- Over 30 finishes including 15 PVD finishes

Codes/Standards

Product meets or exceeds the following:

- ASME A112.18.1/CSA B125.1
- NSF/ANSI 61 & NSF/ANSI 372
- CEC / DOE
- EPA WaterSense High Efficiency Lavatory
- Commonwealth of MA
- ADA compliant



THROUGH-HOLE SPECIFICATIONS			
	MIN	RECOMENDED	MAX
SPOUT: ϕ 1"		ϕ 1-3/8"	ϕ 1-5/8"
VALVE: ϕ 1"		ϕ 1-3/8"	ϕ 1-1/2"

SPECIFICATIONS SUBJECT TO CHANGE WITHOUT NOTICE

ALL DIMENSIONS SHOWN TO NEAREST 1/16"