



California Faucets®

Descanso®

WIDESPREAD LAVATORY FAUCET

Features

- 5-7/16" spout center to center
- 1/4 turn ceramic disc cartridge(s)
- Flexible braided hoses for ease of installation
- ϕ 1-1/4" all brass touch style pop up drain assembly
- 1.2 gpm (4.5 L/min) max flow rate
- All brass construction
- Over 30 finishes including 15 PVD finishes

Codes/Standards

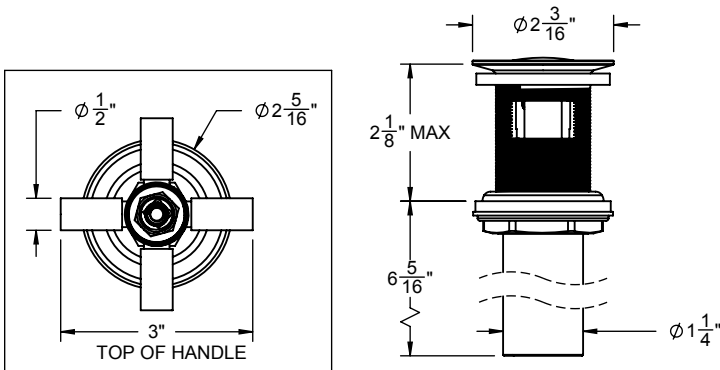
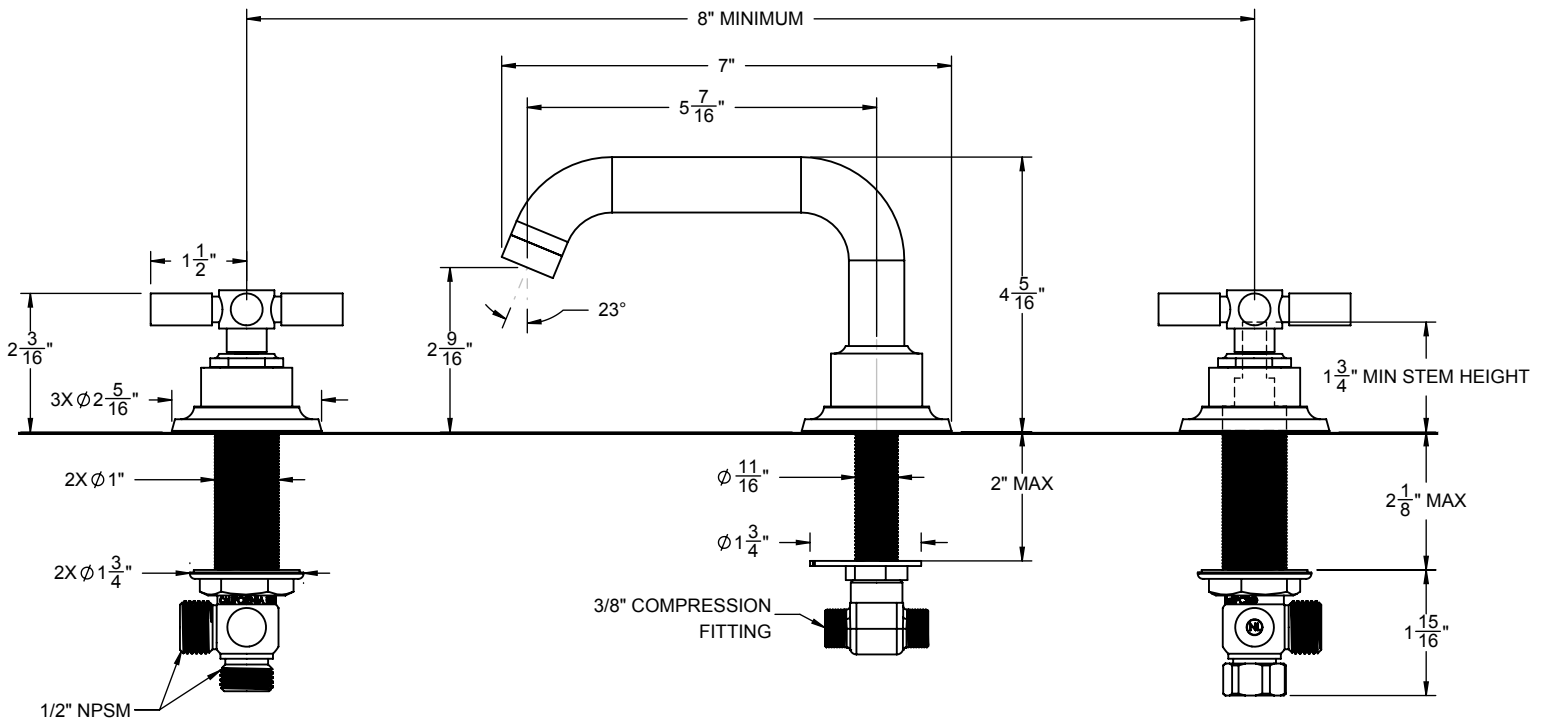
Product meets or exceeds the following:

- ASME A112.18.1/CSA B125.1
- NSF/ANSI 61 & NSF/ANSI 372
- CEC / DOE
- EPA WaterSense High Efficiency Lavatory
- Commonwealth of MA

**CF-3002X
CF-3002XK
CF-3002XF**



(CF-3002XK SHOWN)



THROUGH-HOLE SPECIFICATIONS		
MIN	RECOMENDED	MAX
SPOUT: ϕ 11/16"	ϕ 1-1/8"	ϕ 1-1/2"
VALVE: ϕ 1"	ϕ 1-1/8"	ϕ 1-1/2"

SPECIFICATIONS SUBJECT TO CHANGE WITHOUT NOTICE

ALL DIMENSIONS SHOWN TO NEAREST 1/16"