

California Faucets®

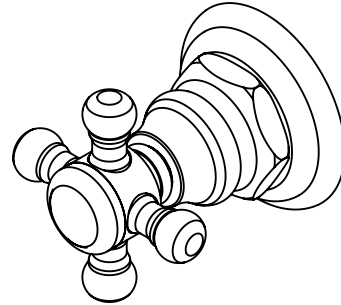
**Del Mar™**

**WALL OR DECK HANDLE TRIM ONLY**

**TO-60-W**

**Features**

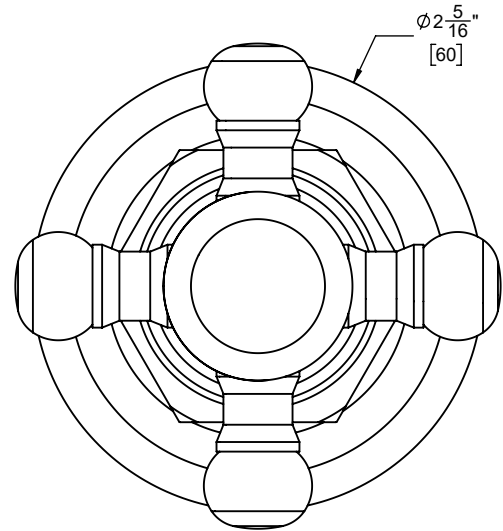
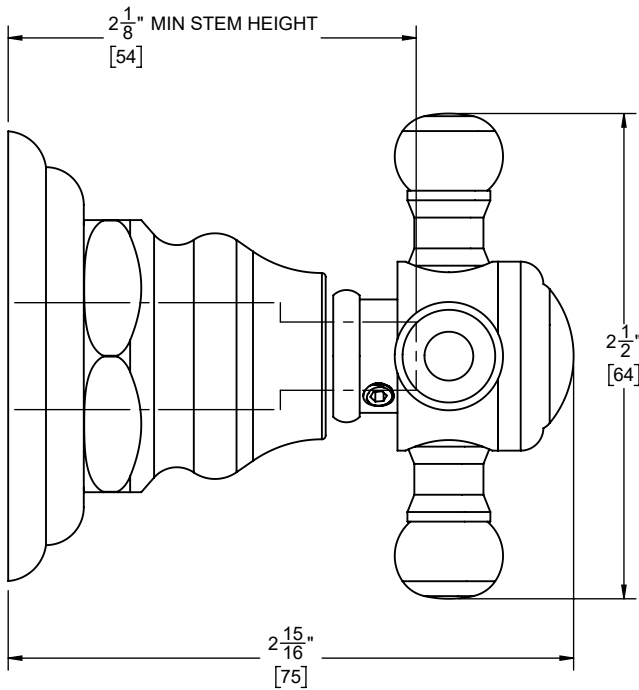
- Available in 28 finishes including 13 PVD finishes
- All brass construction
- Base diameter 2-5/16"
- Use for wall stop, wall diverter or deck diverter
- Rough valve (50-W-R, 75-W-R, WDV-R, DDV-R) sold separately



**Codes/Standards Applicable**

Product meets or exceeds the following:

- ASME A112.18.1/CSA B125.1



**THROUGH-HOLE SPECIFICATIONS**

| MIN            | RECOMMENDED               | MAX                       |
|----------------|---------------------------|---------------------------|
| $\phi 1"$ [25] | $\phi 1\text{-}3/8"$ [35] | $\phi 1\text{-}1/2"$ [38] |

DIMENSIONS SHOWN TO NEAREST 1/16"  
[DIMENSIONS SHOWN TO NEAREST 1mm]

SPECIFICATIONS SUBJECT TO CHANGE WITHOUT NOTICE