



California Faucets®

Showerhead Rough

ROUGH FOR SH-1320W SHOWERHEAD

Features

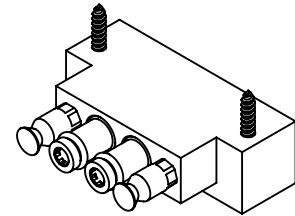
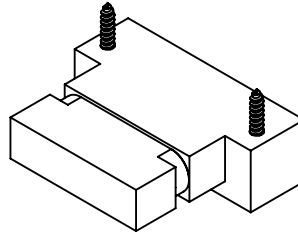
- 1/2" FIP - 2 inlet
- Includes mudguard
- Separate flow waterways
- Mounts directly to in-wall cross support
- Replace .FR with desired max flow rate:
 - 9140.25 for 2.5 gpm
 - 9140.18 for 1.8 gpm

9140.25
9140.18

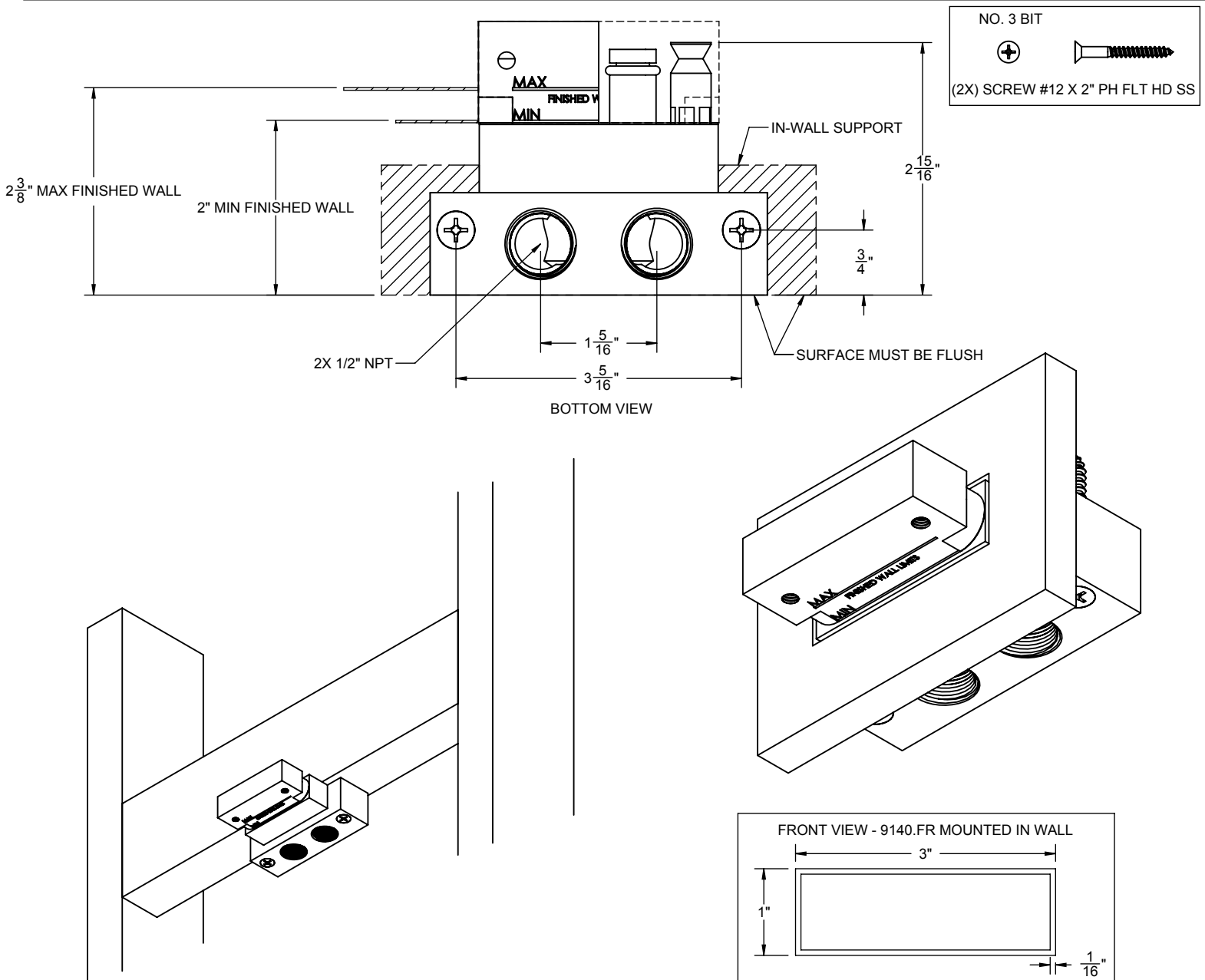
Codes/Standards Applicable

Product meets or exceeds the following:

- ASME A112.18.1/CSA B125.1
- CEC (SH-1320W + 9140.18)
- DOE (SH-1320W + 9140.25 & SH-1320W + 9140.18)
- Commonwealth of MA



MUDGUARD REMOVED FOR CLARITY



SPECIFICATIONS SUBJECT TO CHANGE WITHOUT NOTICE

ALL DIMENSIONS SHOWN TO NEAREST 1/16"