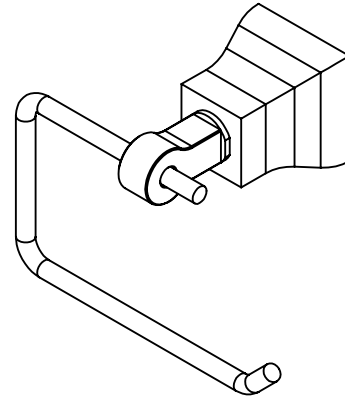




Features

- Over 30 finishes including 14 PVD finishes
- Solid brass construction
- Adjustable wall mount to allow proper horizontal leveling
- Reversible holder opening (left or right).
Can also be locked in for rigid installation
- For additional product offerings, see www.californiafaucets.com

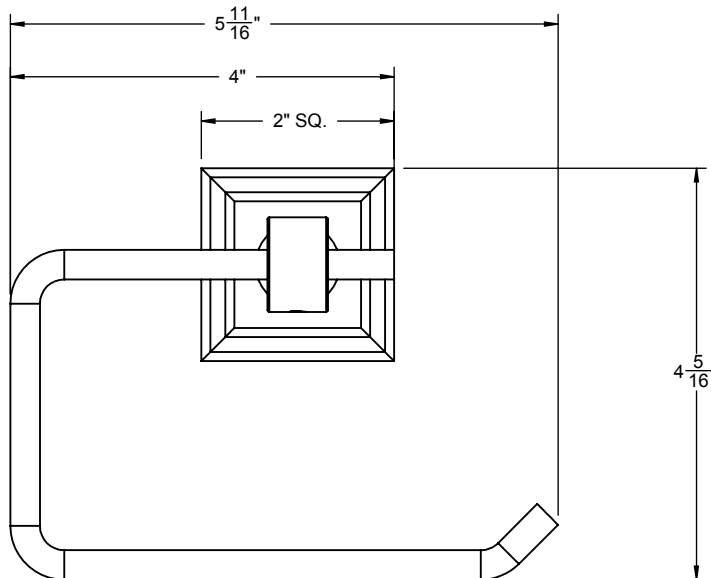
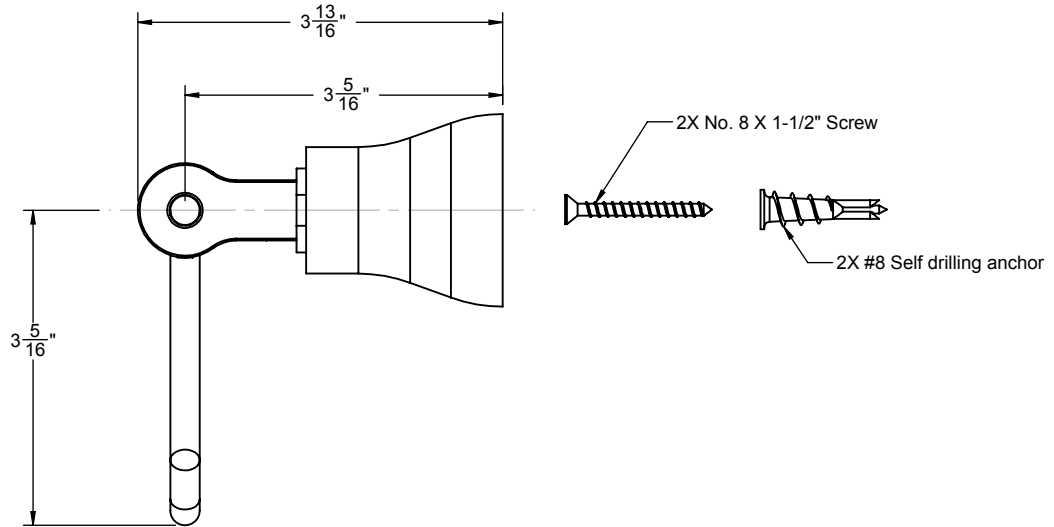
44-STP



Codes/Standards Applicable

Meets or exceeds the following at date of manufacture:

- None applicable



ALL DIMENSIONS SHOWN TO NEAREST 1/16"