

California Faucets®

Topanga™

SINGLE HOLE LAVATORY FAUCET

3301-1

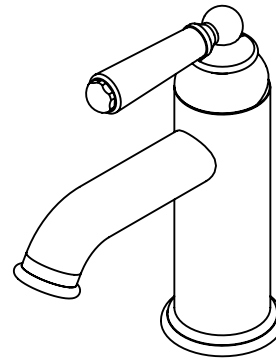
Features

- Over 28 finishes including 13 PVD finishes
- All brass construction
- 4-9/16" spout center to center
- Single handle operation cartridge with ceramic disc
- Flexible braided hoses for ease of installation
- Φ 1-1/4" all brass touch style pop up drain assembly
- Flush mount aerator insert
- 1.2 gpm (4.5 L/min) max flow rate

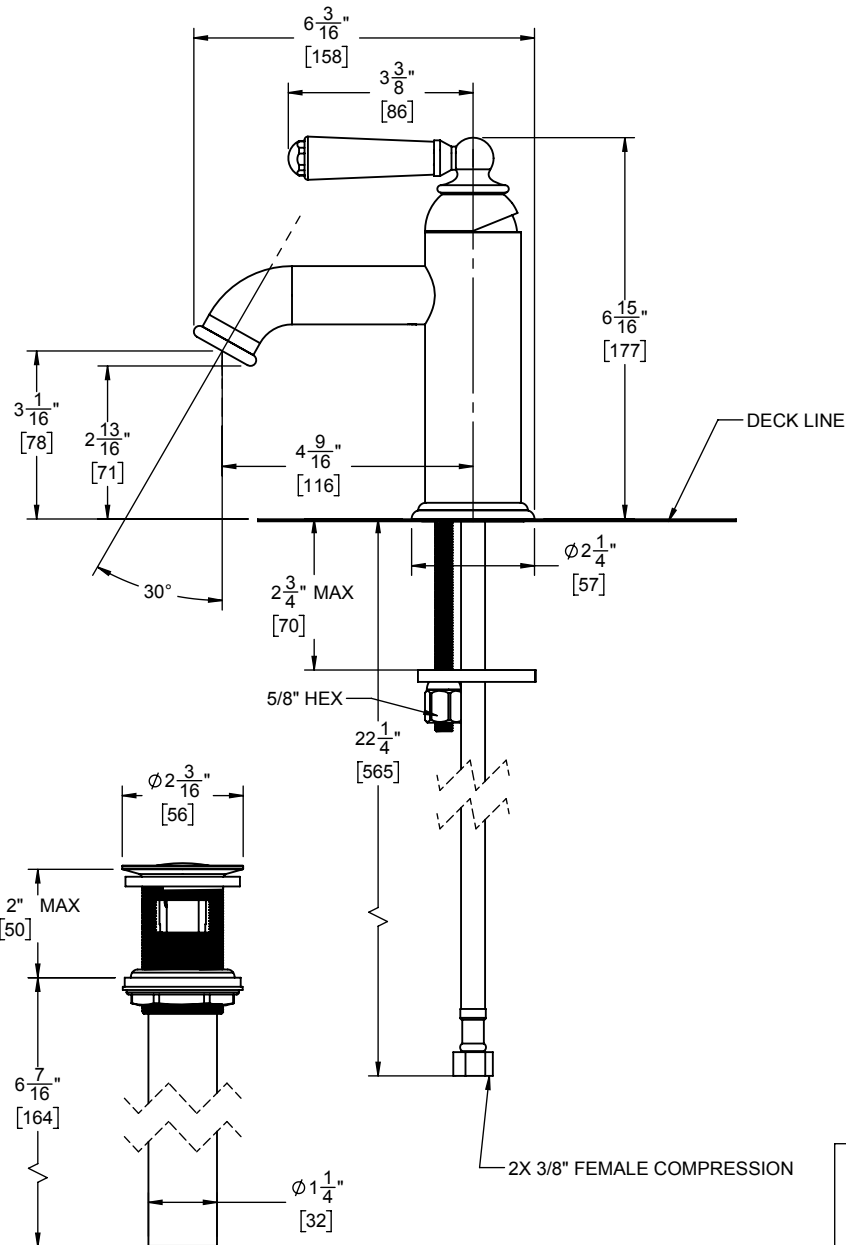
Codes/Standards

Product meets or exceeds the following:

- ASME A112.18.1/CSA B125.1
- NSF/ANSI 61 & NSF/ANSI 372
- CEC
- EPA WaterSense High Efficiency Lavatory
- ADA compliant



3301-1-HXX
(XX = Optional Series Handle)



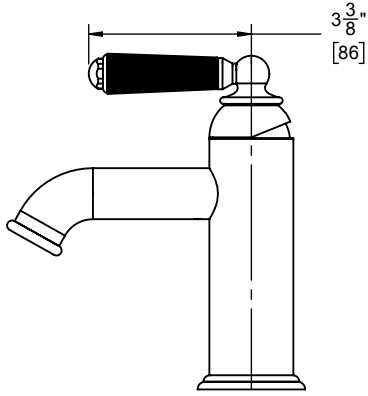
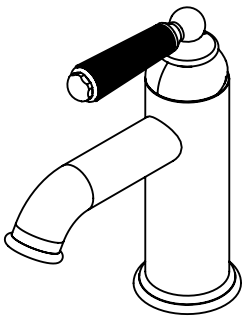
THROUGH-HOLE SPECIFICATIONS	
MIN	RECOMMENDED
SPOUT: Φ 1-1/4" [32]	Φ 1-3/8" [35]
DRAIN: Φ 1-1/2" [38]	Φ 1-3/4" [44]

SPECIFICATIONS SUBJECT TO CHANGE WITHOUT NOTICE

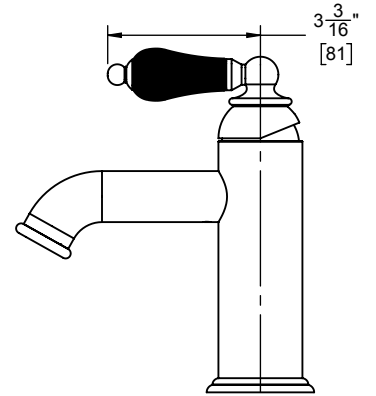
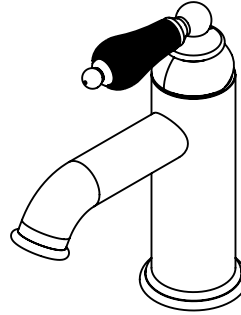
DIMENSIONS SHOWN TO THE NEAREST 1/16"
[DIMENSIONS SHOWN TO THE NEAREST 1mm]



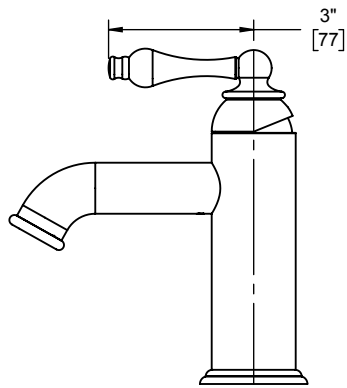
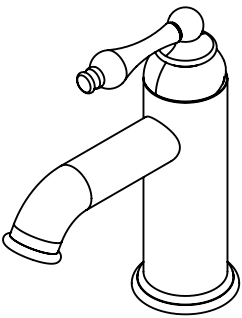
3301-1-H35



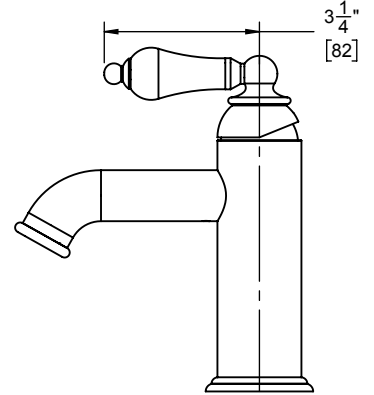
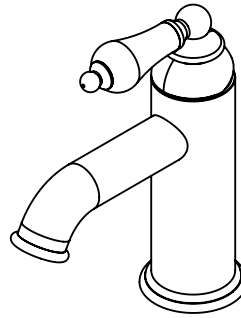
3301-1-H40



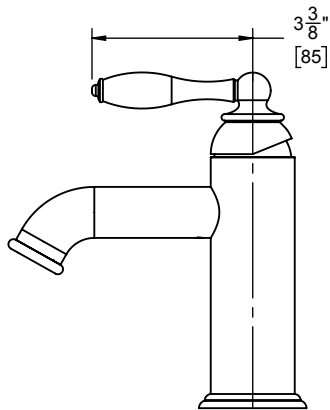
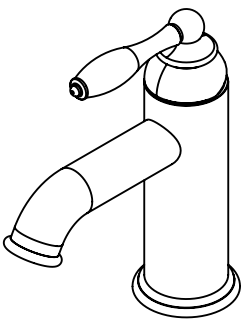
3301-1-H42



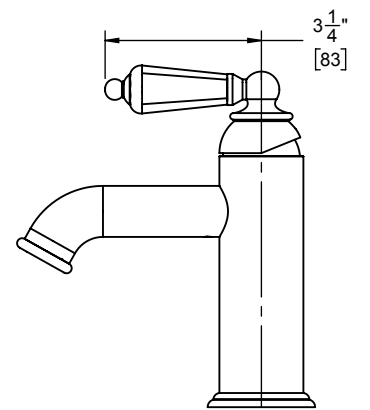
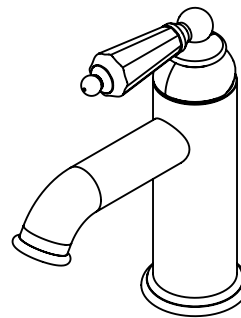
3301-1-H55



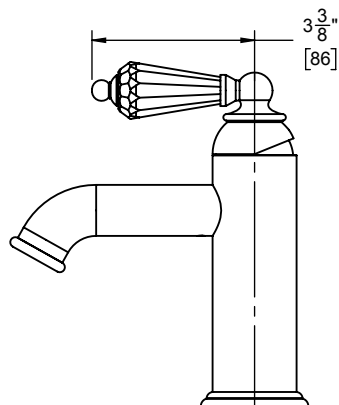
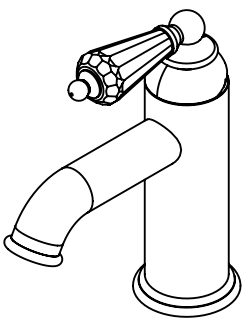
3301-1-H64



3301-1-H68



3301-1-CLEV



DIMENSIONS SHOWN TO NEAREST 1/16"
[DIMENSIONS SHOWN TO NEAREST 1mm]