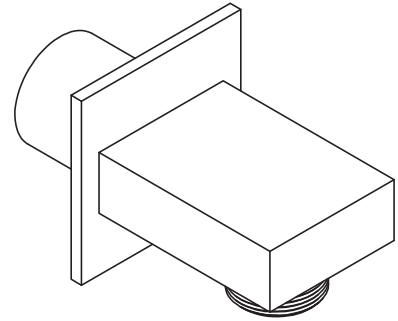




### Features

- Over 30 finishes including 14 PVD finishes
- Solid brass constructions
- 1/2" NPT (female) inlet connection
- 1/2" NPSM (male) outlet connection
- Quick connect attachment

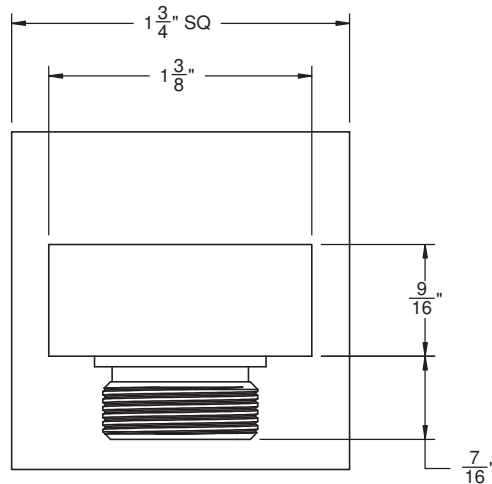
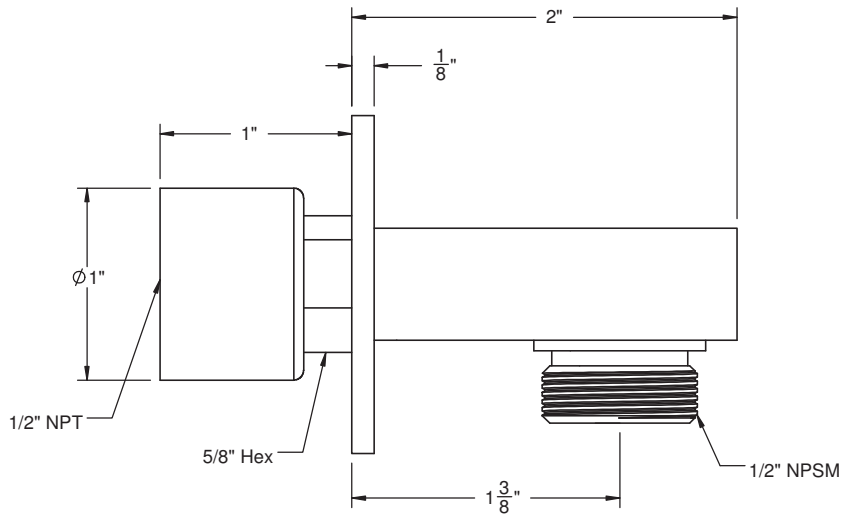
### SH-10-72



### Codes/Standards Applicable

Meets or exceeds the following at date of manufacture:

- ASME A112.18.1/CSA B125.1



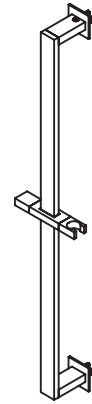
ALL DIMENSIONS SHOWN TO NEAREST 1/16"



### Features

- Over 30 finishes including 14 PVD finishes
- Solid brass construction
- Handshower holder slides up and down on bar
- Handshower holder accepts most conical end of hoses (rotates allowing for various spray direction)
- Right or left handed based on installation
- Includes all mounting hardware
- For additional product offerings, see [www.californiafaucets.com](http://www.californiafaucets.com)

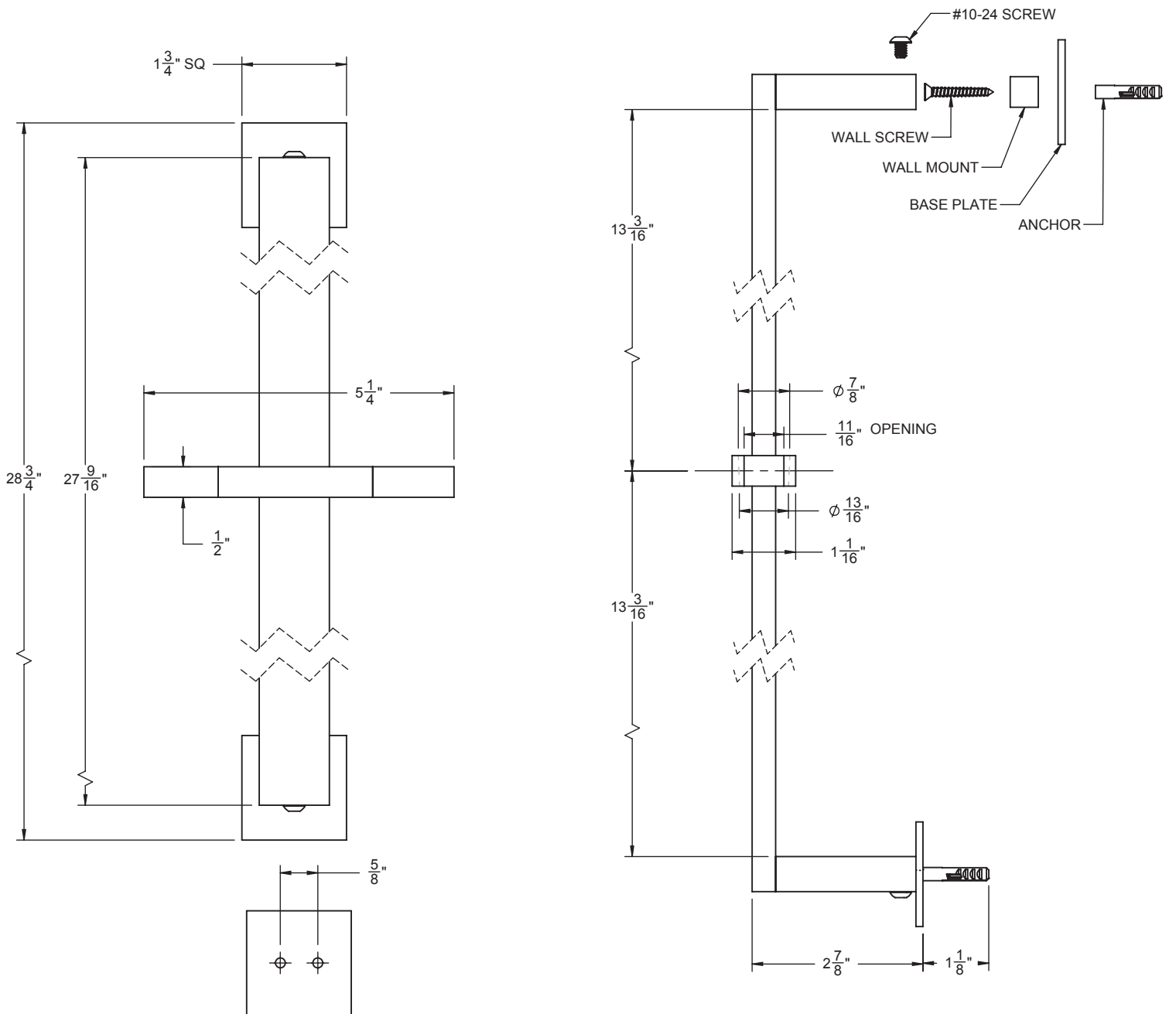
### SB-72



### Codes/Standards Applicable

Meets or exceeds the following at date of manufacture:

- ASME A112.18.1/CSA B125.1



ALL DIMENSIONS SHOWN TO NEAREST 1/16"



California Faucets®

# Handshower

HANDSHOWER HOSE

## Features

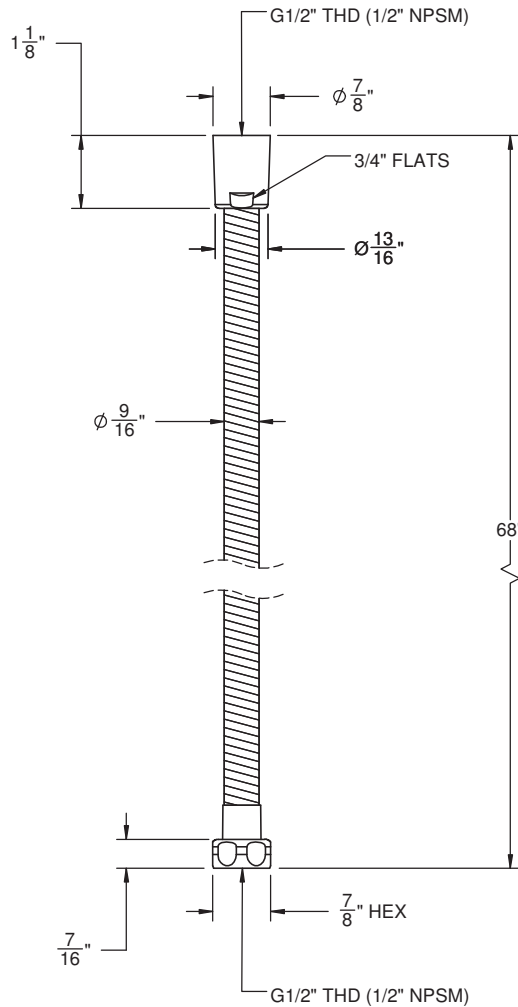
- 1/2" FIP inlet
- 1/2" FIP outlet
- Double spiral out hose for added strength
- Solid brass construction
- Over 30 finishes include 16 PVD finishes

## Codes/Standards Applicable

Meets or exceeds the following at date of manufacture:

- ASME A112.18.1/CSA B125.1

HS-68



ALL DIMENSIONS SHOWN TO NEAREST 1/16"