



California Faucets®

Descanso™

INDUSTRIAL AIR SWITCH FOR WASTE DISPOSAL

Features

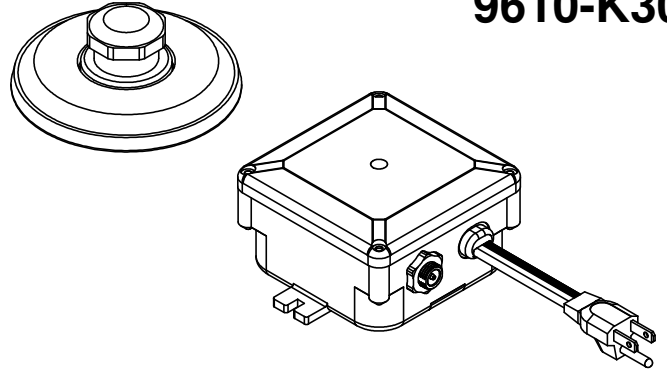
- All brass construction
- Includes 5' flexible tubing
- Control box has dual outlets
- One outlet is always "ON" except when air switch is activated
- Over 30 finishes including 15 PVD finishes
- 13A (non-inductive) @120V AC
- 1/2 HP (.373 kW) @120V AC
- 50-60 Hz

Codes/Standards Applicable

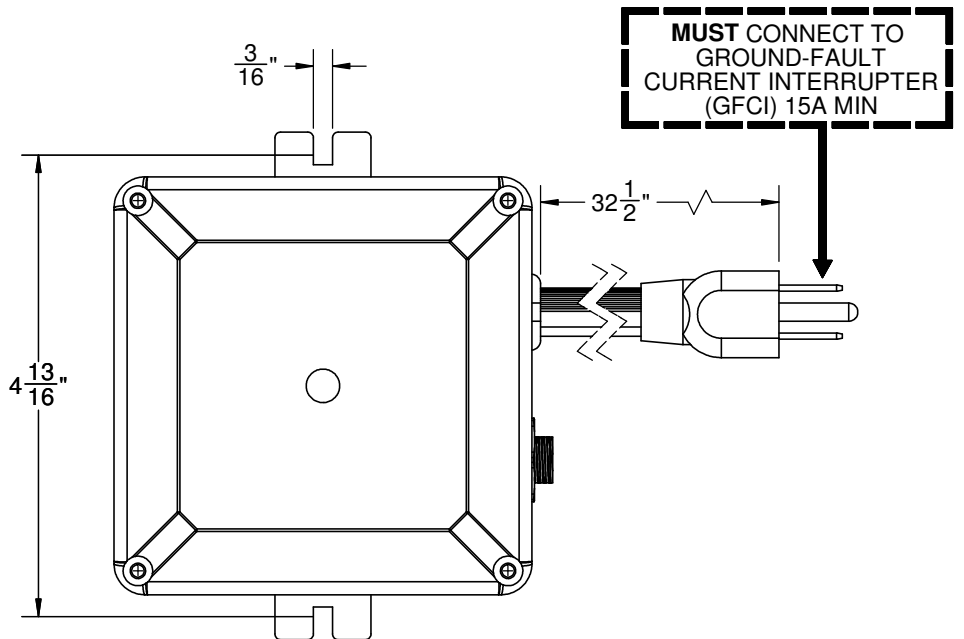
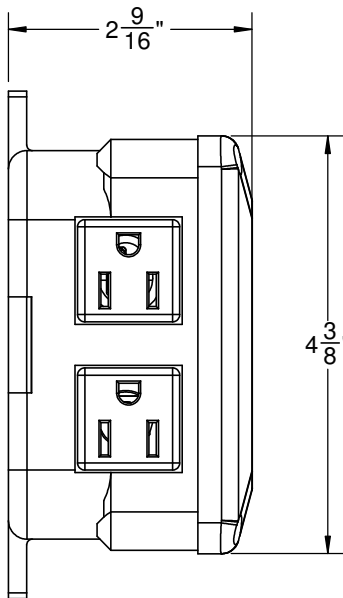
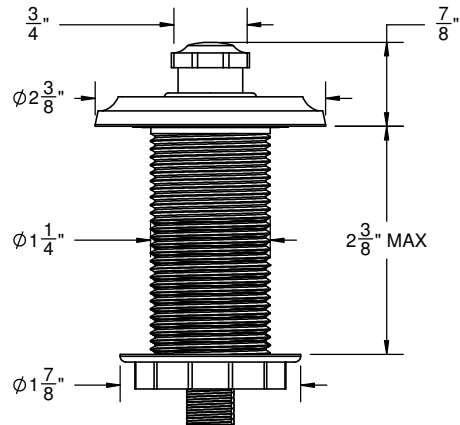
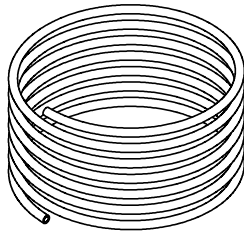
Product meets or exceeds the following:

- UL listed U.S. and Canada (control box)

9610-K30



1/4" x 5' TUBING



THROUGH-HOLE SPECIFICATIONS

MIN	RECOMMENDED	MAX
$\phi 1-1/4"$	$\phi 1-1/4"$	$\phi 1-3/8"$

SPECIFICATIONS SUBJECT TO CHANGE WITHOUT NOTICE

ALL DIMENSIONS SHOWN TO NEAREST 1/16"