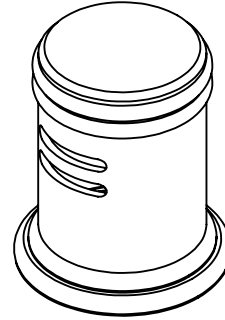




Features

- Solid brass construction
- Fits many standard air gap roughs
- Over 30 finishes including 15 PVD finishes

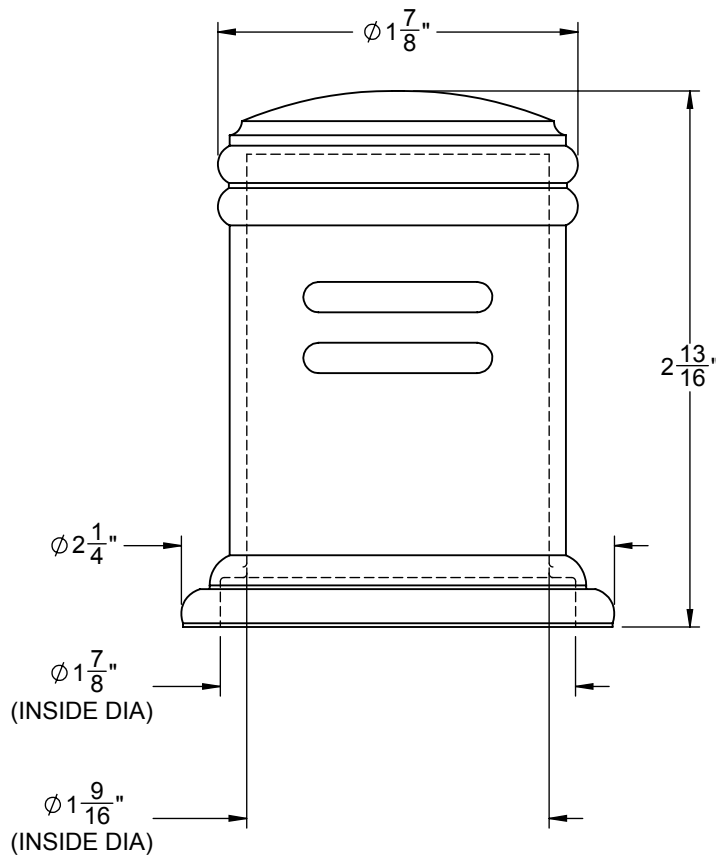
9601-K10



Codes/Standards Applicable

Meets or exceeds the following at date of manufacture:

- IAPMO PS 023-2006a



ALL DIMENSIONS SHOWN TO NEAREST 1/16"