



Tel: 714-891-7797
Fax: 714-891-2478
Toll Free: 800-822-8855
www.calfaucets.com

ADJUSTABLE ELBOW KIT

"9590"

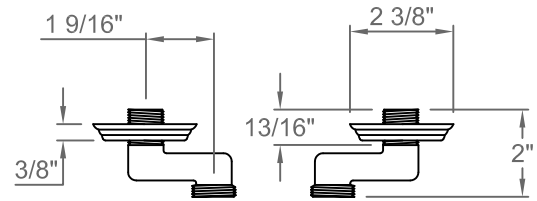
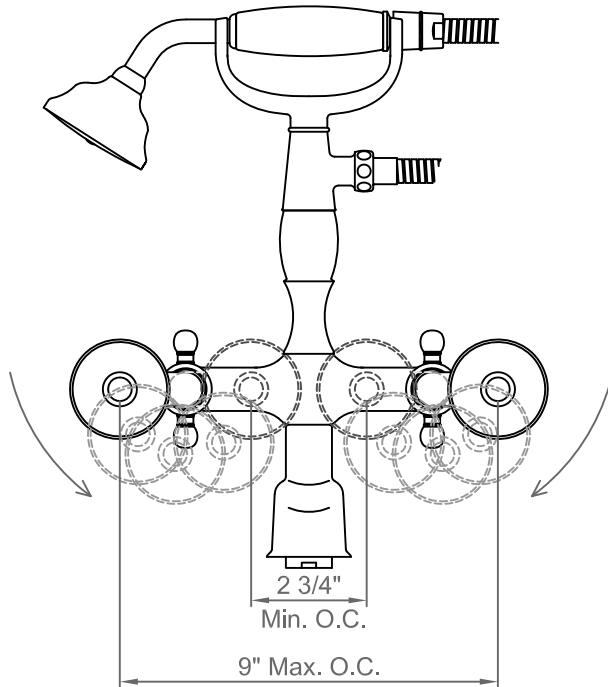


All California Faucets lever and blade handle products are American Disability Act (ADA) compliant.

California Faucets reserves the right to make modification and specification changes at any time. Please verify dimensions prior to installation. Visit www.calfaucets.com for most current technical data.

Flow rate = 10 GPM @ 60 PSI

Rear View



Top View - Adjustable Elbows

Side View

