



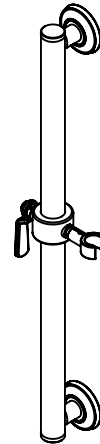
Features

- 25+ artisan finishes including 12 PVD finishes
- All brass construction
- Adjustable position slide with positive-lock swivel holder
- Accepts most conical handshower hoses
- Right or left handed based on installation
- 1-1/4" diameter bar
- Concealed mounting
- Mounting hardware included

Codes/Standards Applicable

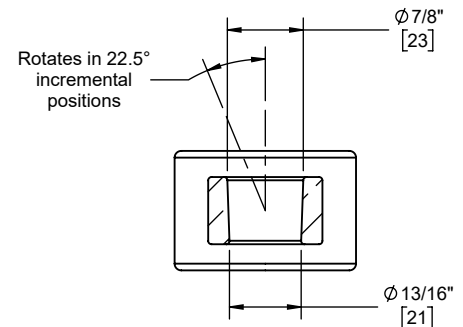
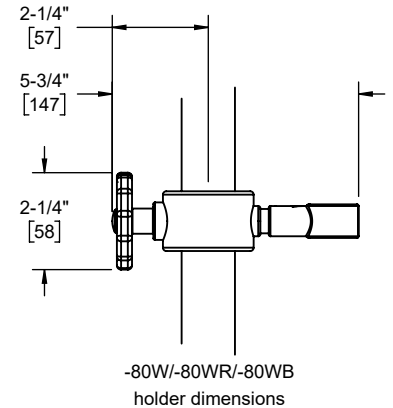
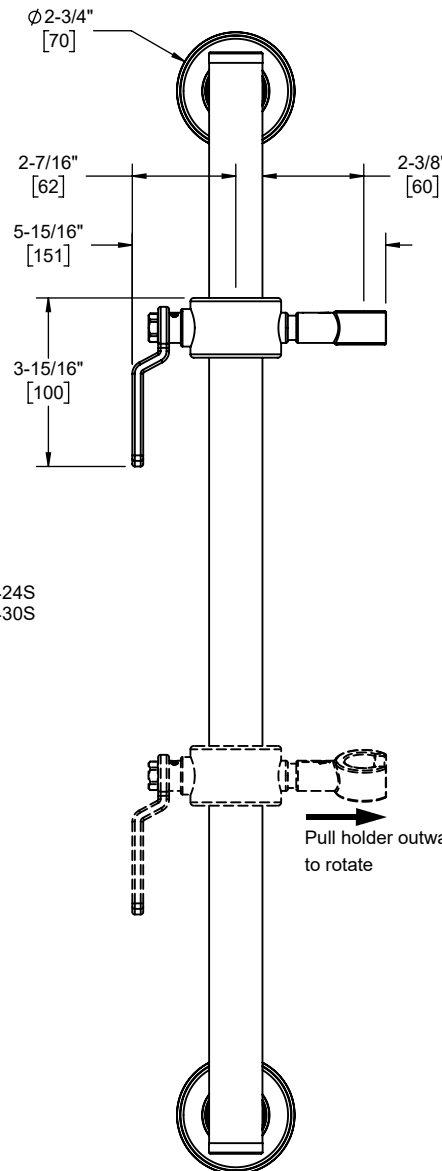
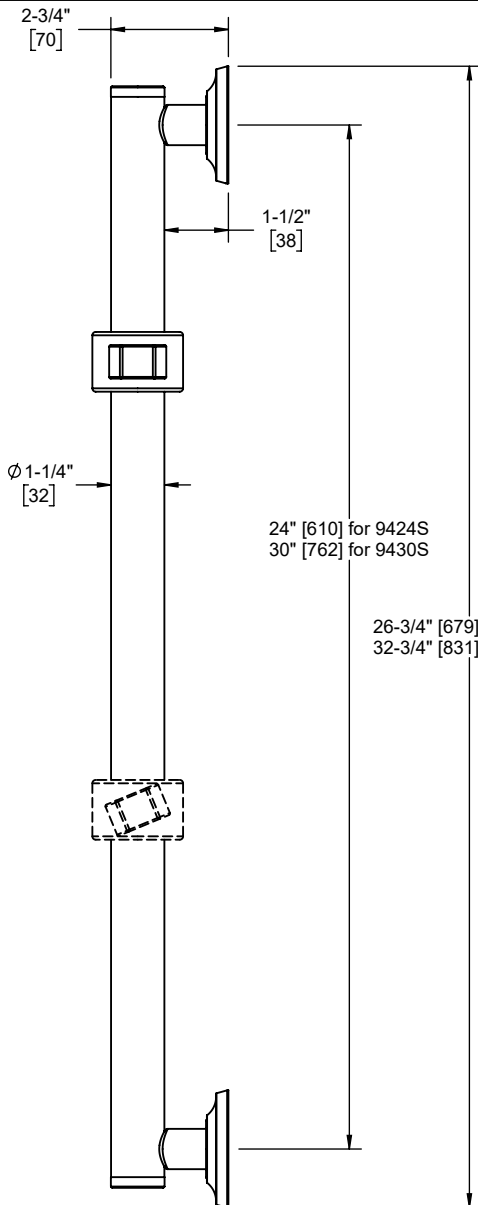
Product meets or exceeds the following:

- ASME A112.18.1/CSA B125.1
- ADA compliant grab bar



9424S-80 shown

- 9424S-80
- 9424S-80W
- 9424S-80WB
- 9424S-80WR
- 9430S-80
- 9430S-80W
- 9430S-80WB
- 9430S-80WR



(8X) - #8 X 1-3/4" phillips head screw

Dimensions are inches, rounded to 1/16"
[Dimensions in brackets are mm, rounded to 1mm]