

**Suggested Uses**

- Shower drain
- Patio/Atrium drains
- Other wetted area floor drains

**Features**

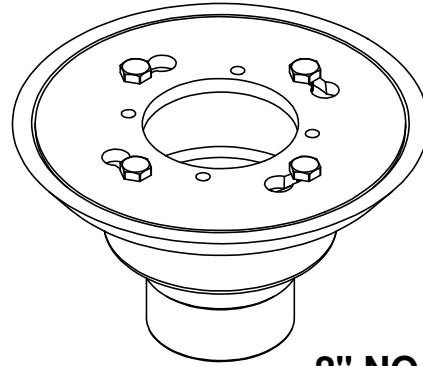
- Rust resistant coating cast iron drain body with reversible weep-hole membrane collar.
- Outlet connection: 2" NO-HUB
- For CERALINE installations that require weep hole drainage
- For complete selection, see [www.californiafaucets.com](http://www.californiafaucets.com)

**Codes/Standards Applicable**

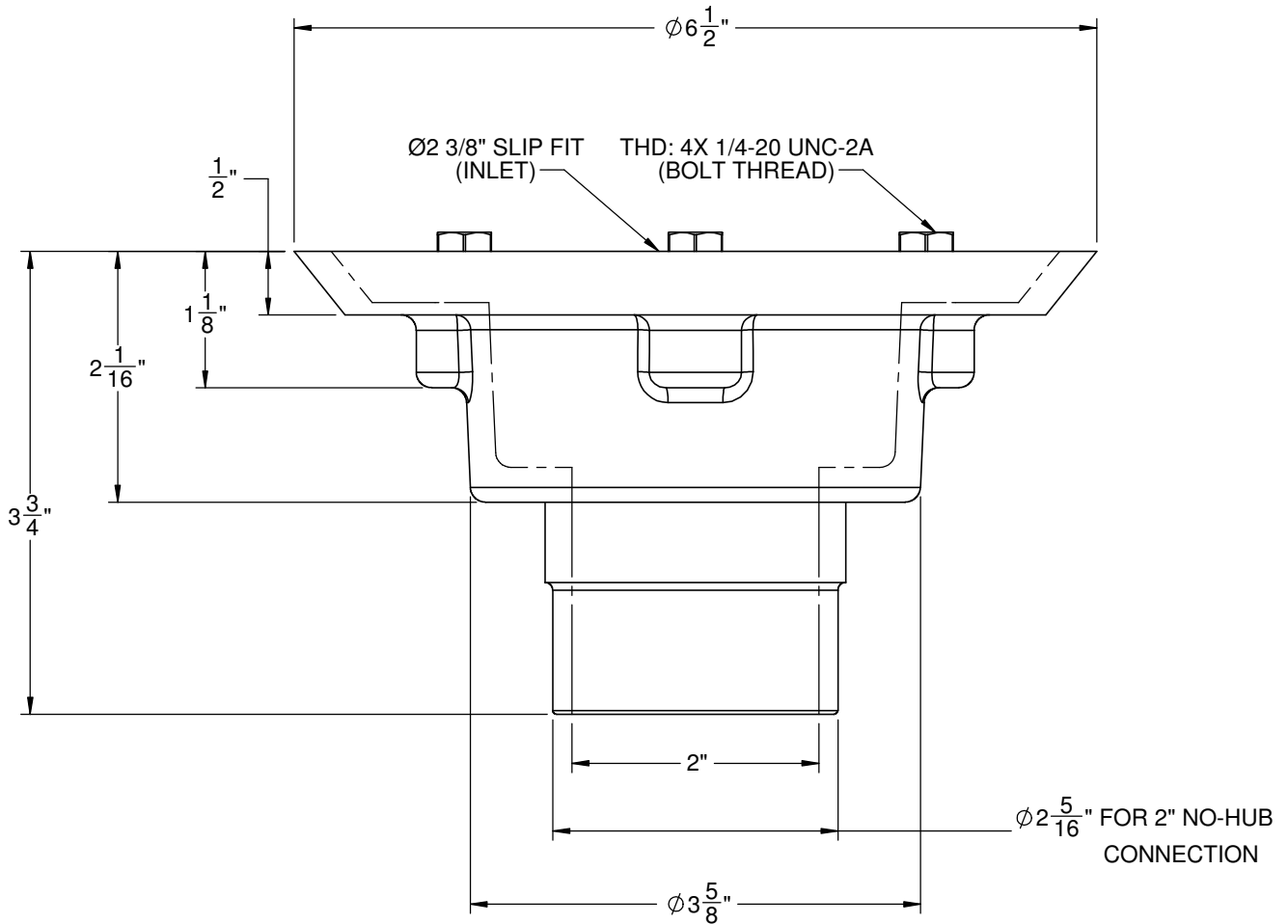
Meets or exceeds the following at date of manufacture:

- ASME A112.18.2/CSA B125.2

9189



2" NO-HUB CAST IRON



ALL DIMENSIONS SHOWN TO NEAREST 1/16"