

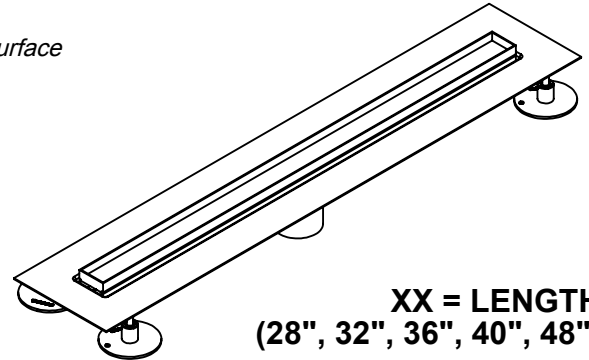


Features

- Available in natural & blackened stainless steel
- Tile recess trim cover plate to accept matching tile, stone, marble, etc.
- Stainless steel recess trim cover & drain rough
- Removable recess trim cover with no visible screws
- Height adjustable leveling pads position tile in recess trim cover flush with tile surface
- Height adjustable support legs on drain rough to accommodate uneven sub-floor
- Drain rough design prevents standing water
- Outlet flow rate 18 gpm (68 Lpm) with 1/4" head of water
- Removable debris strainer
- Compatible with following waterproofing systems:
 - Liquid membrane with direct No-Hub connection
 - Sanded flange to secure liquid membrane waterproofing
- Tile trim template, tile straight edge framing holders and mudguard included

9182-2S-XX

(9188-2S-XX & 9187-XX)

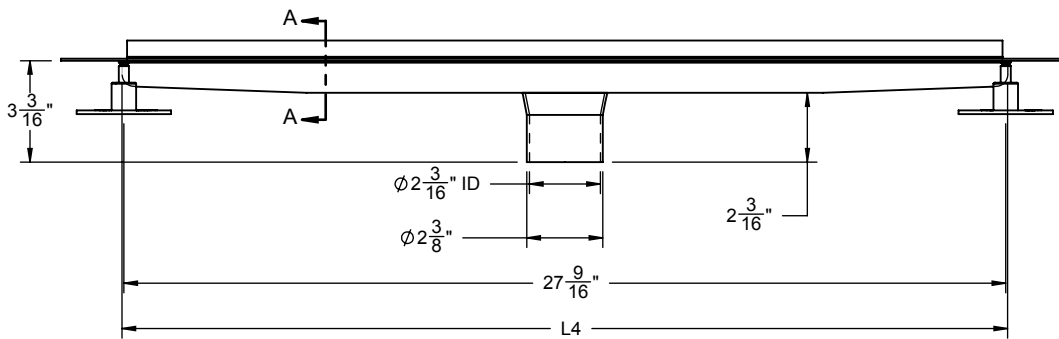
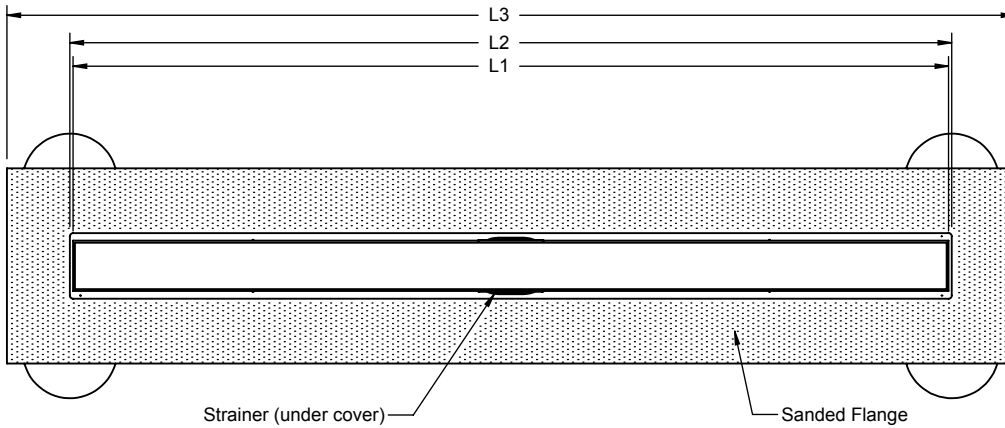


XX = LENGTH
(28", 32", 36", 40", 48")

Codes/Standards Applicable

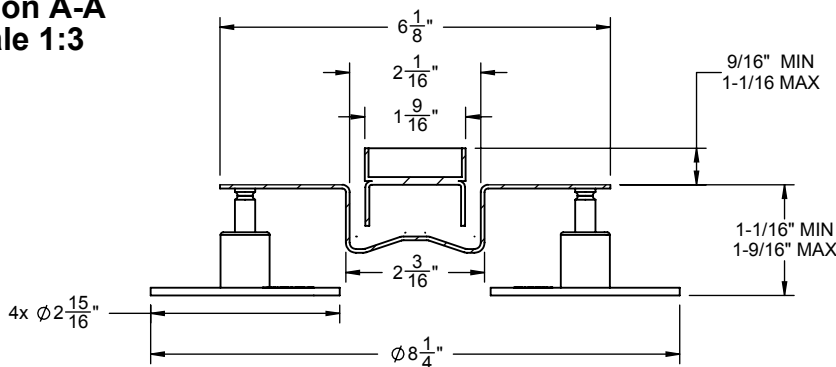
Meets or exceeds the following at date of manufacture:

- ASME A112.18.2-2005/CSA B125.2-05 & IAPMO IGC 195-2010
- NYC Plumbing Codes PC 417.3, PC 701.10 and PC 702.1

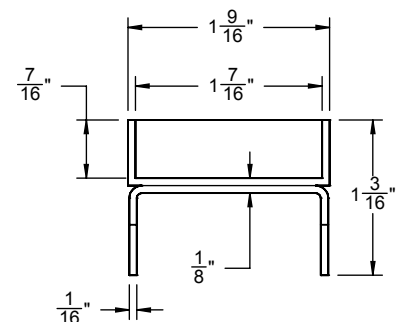


| MODEL | L1 | L2 | L3 | L4 | MIN INSTALL LENGTH |
|------------|-----------------------------------|-----------------------------------|-----------------------------------|------------------------------------|--------------------|
| 9182-2S-28 | 27 ³ / ₈ " | 27 ⁹ / ₁₆ " | 31 ¹ / ₂ " | 27 ¹¹ / ₁₆ " | 32 |
| 9182-2S-32 | 31 ³ / ₁₆ " | 31 ¹ / ₂ " | 35 ⁷ / ₁₆ " | 31 ⁵ / ₈ " | 36 |
| 9182-2S-36 | 35 ¹ / ₄ " | 35 ⁷ / ₁₆ " | 39 ³ / ₈ " | 35 ⁹ / ₁₆ " | 40 |
| 9182-2S-40 | 39 ³ / ₁₆ " | 39 ³ / ₈ " | 43 ⁵ / ₁₆ " | 39 ¹ / ₂ " | 44 |
| 9182-2S-48 | 47 ¹ / ₁₆ " | 47 ¹ / ₄ " | 51 ³ / ₁₆ " | 47 ³ / ₈ " | 52 |

Section A-A Scale 1:3



ALL DIMENSIONS SHOWN TO NEAREST 1/16"



Trim Cover Profile