



California Faucets®

CeraLine®

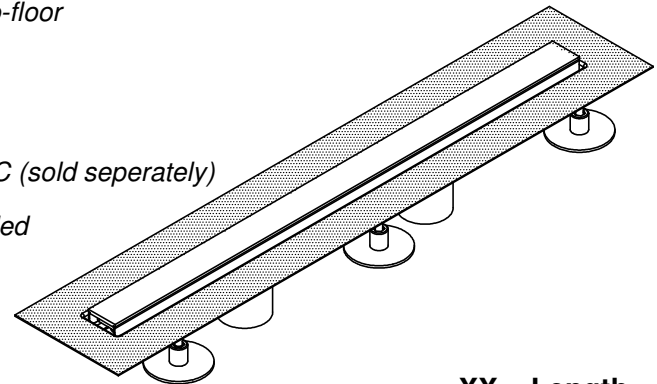
Edge Channel Drain Kit

**Features**

- Only available in natural stainless steel
- Veneer trim over plate for sharp finished edge look
- Stainless steel recess trim cover & drain rough with 2" dual Polypropylene outlet
- Removable recess trim cover with no visible screws
- Height adjustable leveling pads position tile in recess trim cover flush with tile surface
- Height adjustable support legs on drain rough to accomodate uneven sub-floor
- Drain rough design prevents standing water
- Dual outlet total flow rate 36 gpm (136 Lpm) with 1/4" head of water
- Removable debris strainers
- Compatible with following waterproofing systems:  
 Liquid membrane with direct No-Hub connection  
 Hot mop or PVC/CPE when used with 9189-, 9189-ABS or 9189-PVC (sold seperately)
- Sanded flange to secure liquid membrane waterproofing
- Tile trim template, tile straight edge framing holders and mudguard included

**9181-D2P-XX**

(9186-DXX & 9188-D2P-XX)

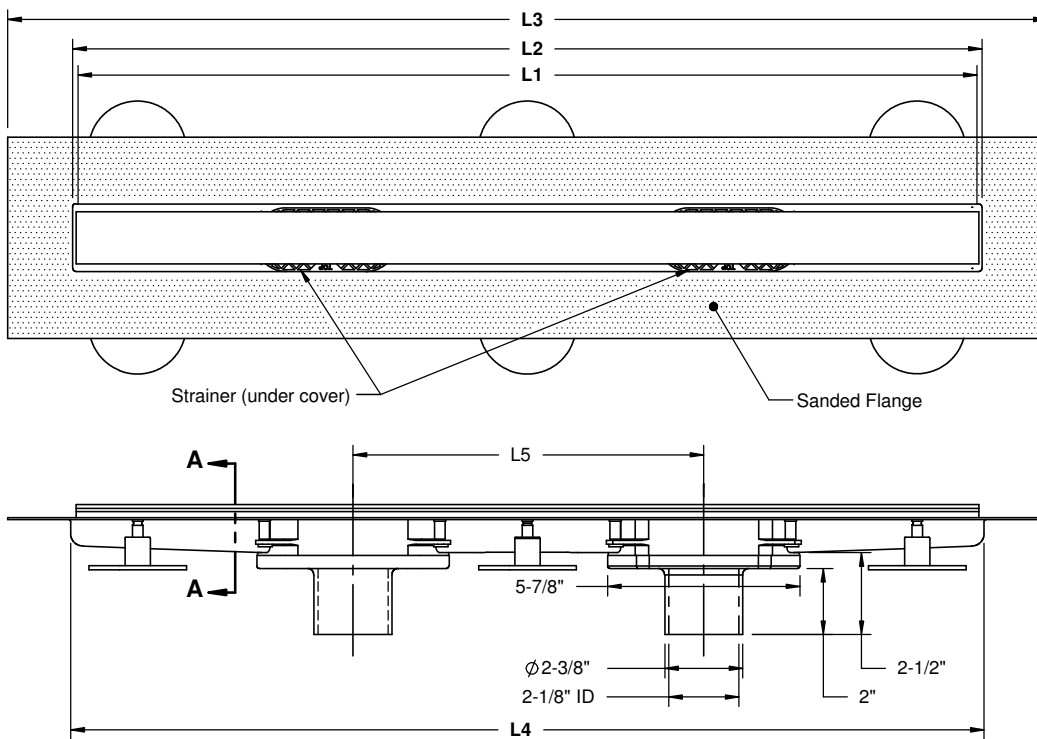


**XX = Length**  
(52", \*56", 60", 63", 67", 71", 75", 79")

**Codes/Standards Applicable**

Specified model meets or exceeds the following:

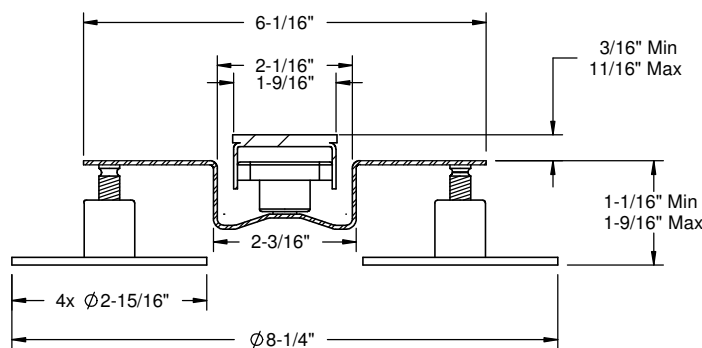
- ASME A112.18.2-2005/CSA B125.2-05 & IAPMO IGC 195-2010



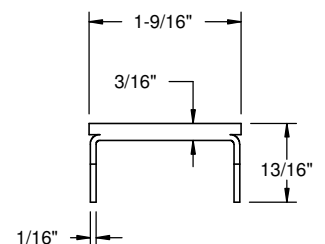
MODEL	L1	L2	L3	L4	L5	MIN INSTALL LENGTH
9181-D2P-52	51	51 <sup>3</sup> / <sub>16</sub>	55 <sup>5</sup> / <sub>8</sub>	51 <sup>1</sup> / <sub>16</sub>	19 <sup>11</sup> / <sub>16</sub>	56
* 9181-D2P-56	55	55 <sup>1</sup> / <sub>8</sub>	59 <sup>1</sup> / <sub>16</sub>	55 <sup>1</sup> / <sub>4</sub>	19 <sup>11</sup> / <sub>16</sub>	60
9181-D2P-60	58 <sup>15</sup> / <sub>16</sub>	59 <sup>1</sup> / <sub>16</sub>	63	59 <sup>3</sup> / <sub>16</sub>	23 <sup>5</sup> / <sub>8</sub>	63
9181-D2P-63	62 <sup>7</sup> / <sub>8</sub>	63	66 <sup>15</sup> / <sub>16</sub>	63 <sup>1</sup> / <sub>8</sub>	23 <sup>5</sup> / <sub>8</sub>	67
9181-D2P-67	66 <sup>3</sup> / <sub>4</sub>	66 <sup>15</sup> / <sub>16</sub>	70 <sup>7</sup> / <sub>8</sub>	67 <sup>1</sup> / <sub>16</sub>	27 <sup>9</sup> / <sub>16</sub>	71
9181-D2P-71	70 <sup>3</sup> / <sub>4</sub>	70 <sup>7</sup> / <sub>8</sub>	74 <sup>13</sup> / <sub>16</sub>	71	27 <sup>9</sup> / <sub>16</sub>	75
9181-D2P-75	74 <sup>5</sup> / <sub>8</sub>	74 <sup>13</sup> / <sub>16</sub>	78 <sup>3</sup> / <sub>4</sub>	75	31 <sup>1</sup> / <sub>2</sub>	79
9181-D2P-79	78 <sup>9</sup> / <sub>16</sub>	78 <sup>3</sup> / <sub>4</sub>	82 <sup>11</sup> / <sub>16</sub>	78 <sup>7</sup> / <sub>8</sub>	31 <sup>1</sup> / <sub>2</sub>	83

\* STOCKED ITEM, ALL OTHERS ARE SPECIAL ORDER

**Section A-A**  
Scale 2:1



All Dimensions Shown To Nearest 1/16"



**Trim Cover Profile**