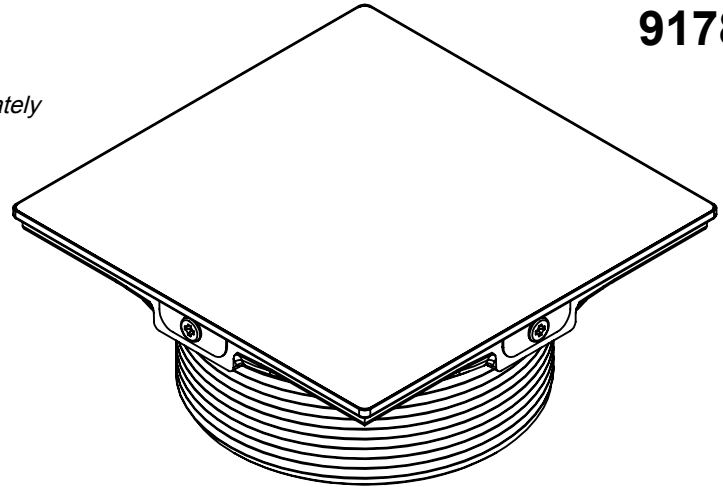




Features

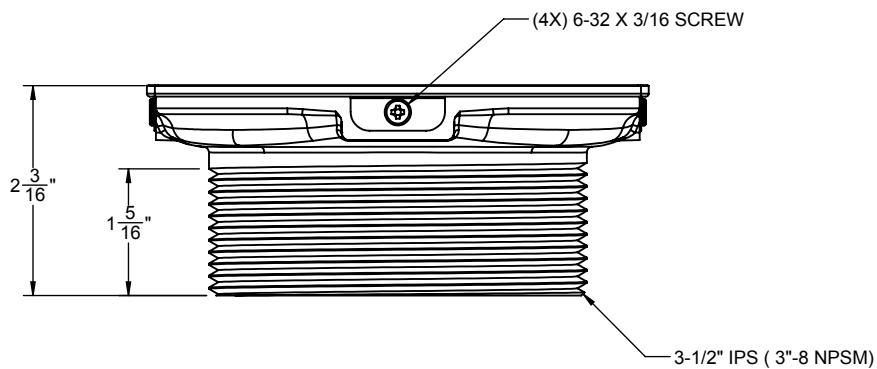
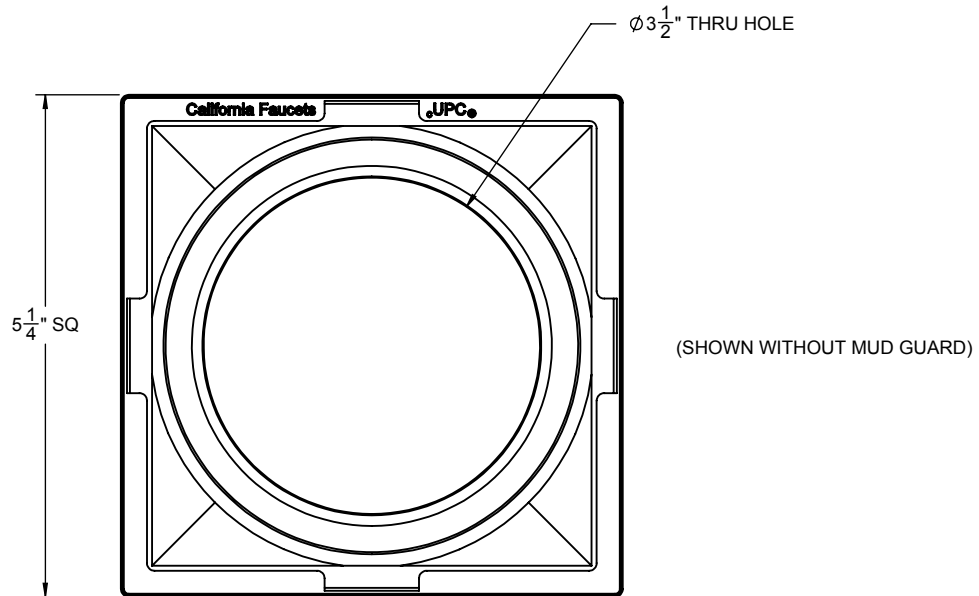
- Square design for easy floor design and installation
- Brass throat with stainless steel tile frame, screws, & mudguard
- Compatible with all StyleDrain bodies
(9179, 9179-3, 9179-IP-2/3, 9179-ABS or 9179-PVC) sold separately
- Compatible with Zurn ZU415 series drain bodies
- Compatible with all StyleDrain grids (9170-A → 9176-A)
sold separately
- For complete selection, see www.californiafaucets.com

9178



Codes/Standards Applicable

- Specified model meets or exceeds the following:
- ASME A112.18.2/CSA B125.2
- US PAT NO. 8043497



ALL DIMENSIONS SHOWN TO NEAREST 1/16"