



9177-IP-2

Suggested Uses

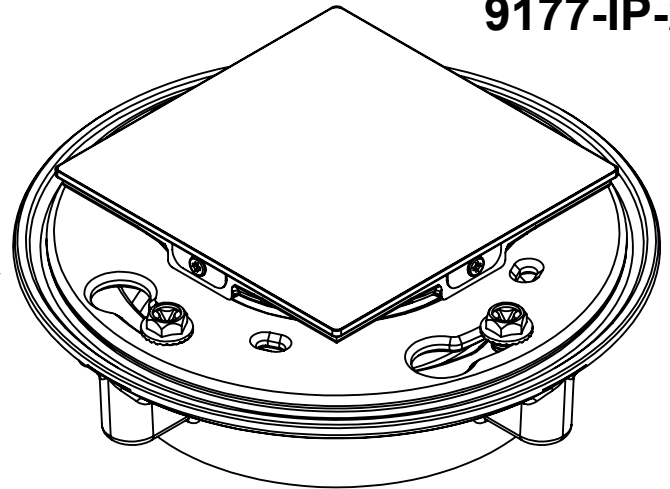
- Shower drain
- Patio/Atrium drains
- Other wetted area floor drains

Features

- Square design for easy floor design and installation
- Brass throat with stainless steel tile frame, screws, & mudguard
- Latex coated cast iron body with reversible weep-hole membrane collar
- Outlet connection: 2" NPT female
- Compatible with all StyleDrain Grids (9170-A → 9176-A) sold separately
- For complete selection, see www.californiafaucets.com

Codes/Standards Applicable

- Specified model meets or exceeds the following:
- ASME A112.18.2/CSA B125.2
- US PAT NO. 8043497



CAST IRON 2" IPS

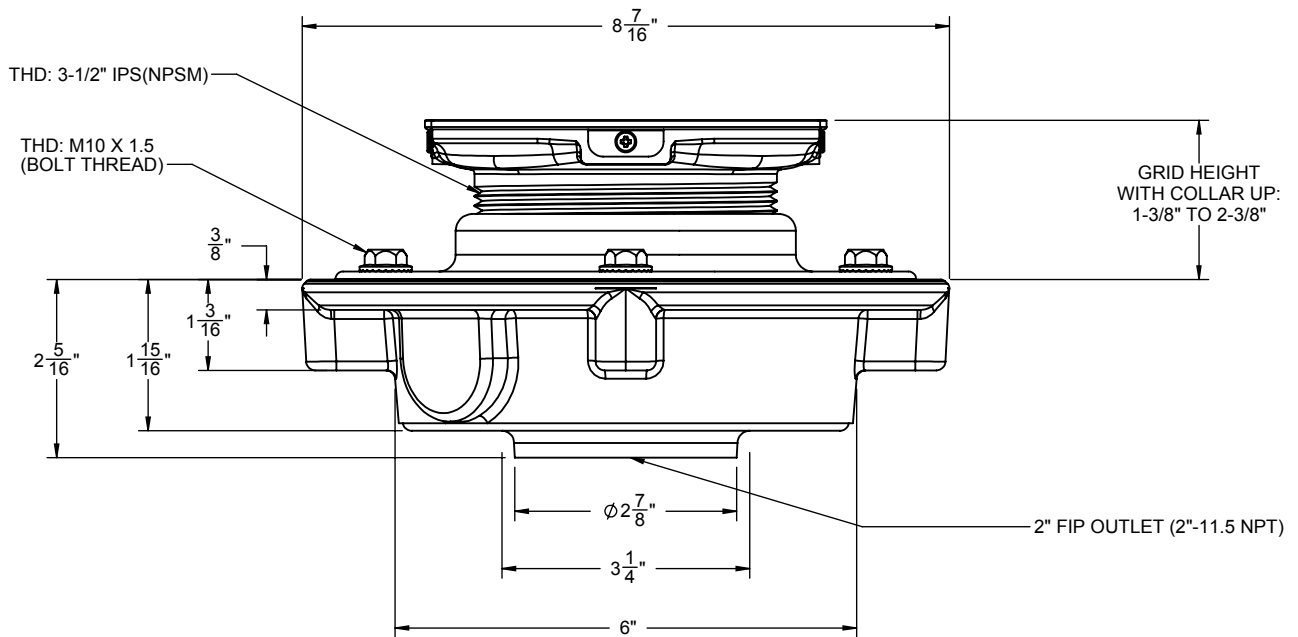
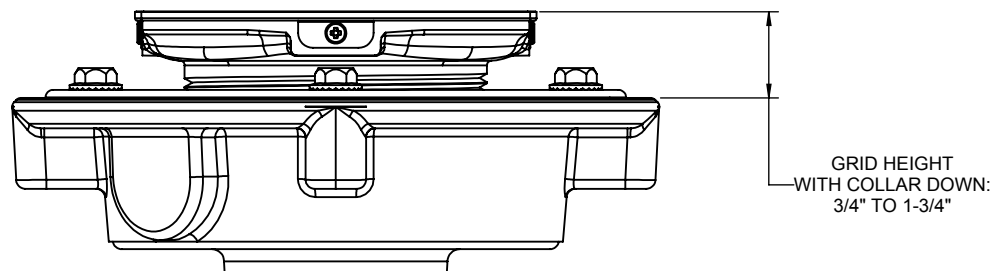


Figure 1. COLLAR IN UP POSITION

Figure 2. COLLAR IN DOWN POSITION



ALL DIMENSIONS SHOWN TO NEAREST 1/16"