



California Faucets®

# Shower Arms

## 20" Wall Shower Arm

### Features

- Available in 28 finishes including 13 PVD finishes
- All brass construction
- Includes adjustable flange

9113-60  
 9113-65  
 9113-77  
 9113-85

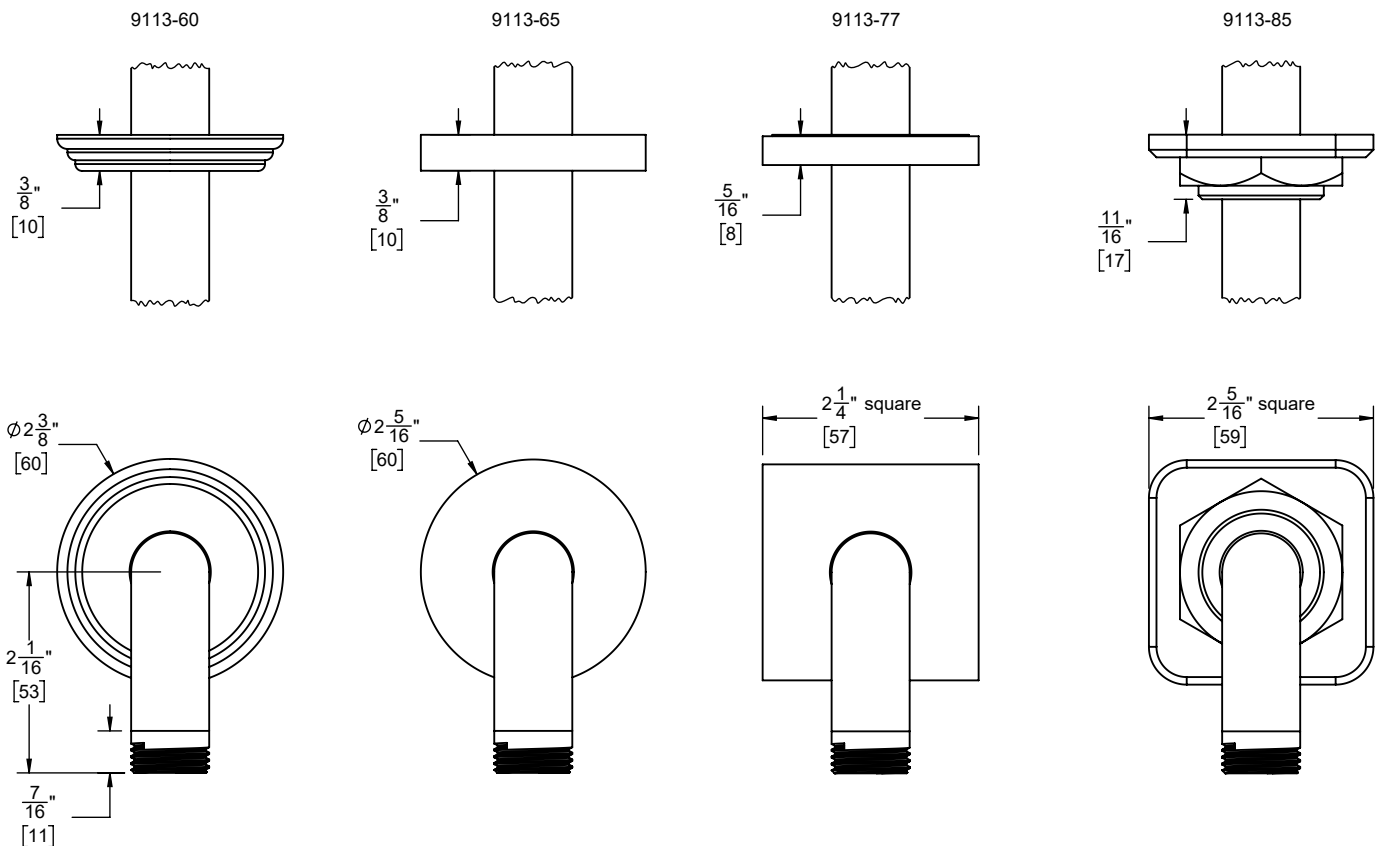
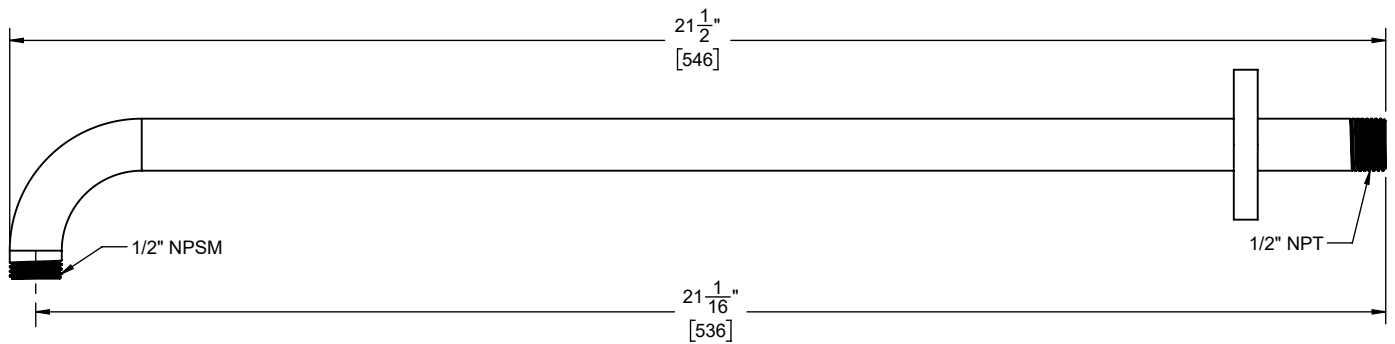


### Codes/Standards

Product meets or exceeds the following:

- ASME A112.18.1/CSA B125.1

9113-60-PC shown



Specifications subject to change without notice

Dimensions are inches, rounded to 1/16"  
[Dimensions in brackets are mm, rounded to 1mm]

