

California Faucets®

Steampunk Bay™

FLOOR MOUNT TUB FILLER WITH HANDSHOWER

Features

- No additional wall or trap stabilizer kit required
- Tub filler Maximum flow rate: 15 gpm (58.6 L/min) at 60 psi
- Handshower Flow rate: 2.0 gpm (7.6 L/min) or 1.8 gpm (6.8 L/min)
- Handshower bracket may be placed on COLD or HOT side of body
- 1/4 turn ceramic disc cartridges
- Rough kit sold separately (9516)
- All brass construction
- Over 30 finishes including 15 PVD finishes

Codes/Standards Applicable

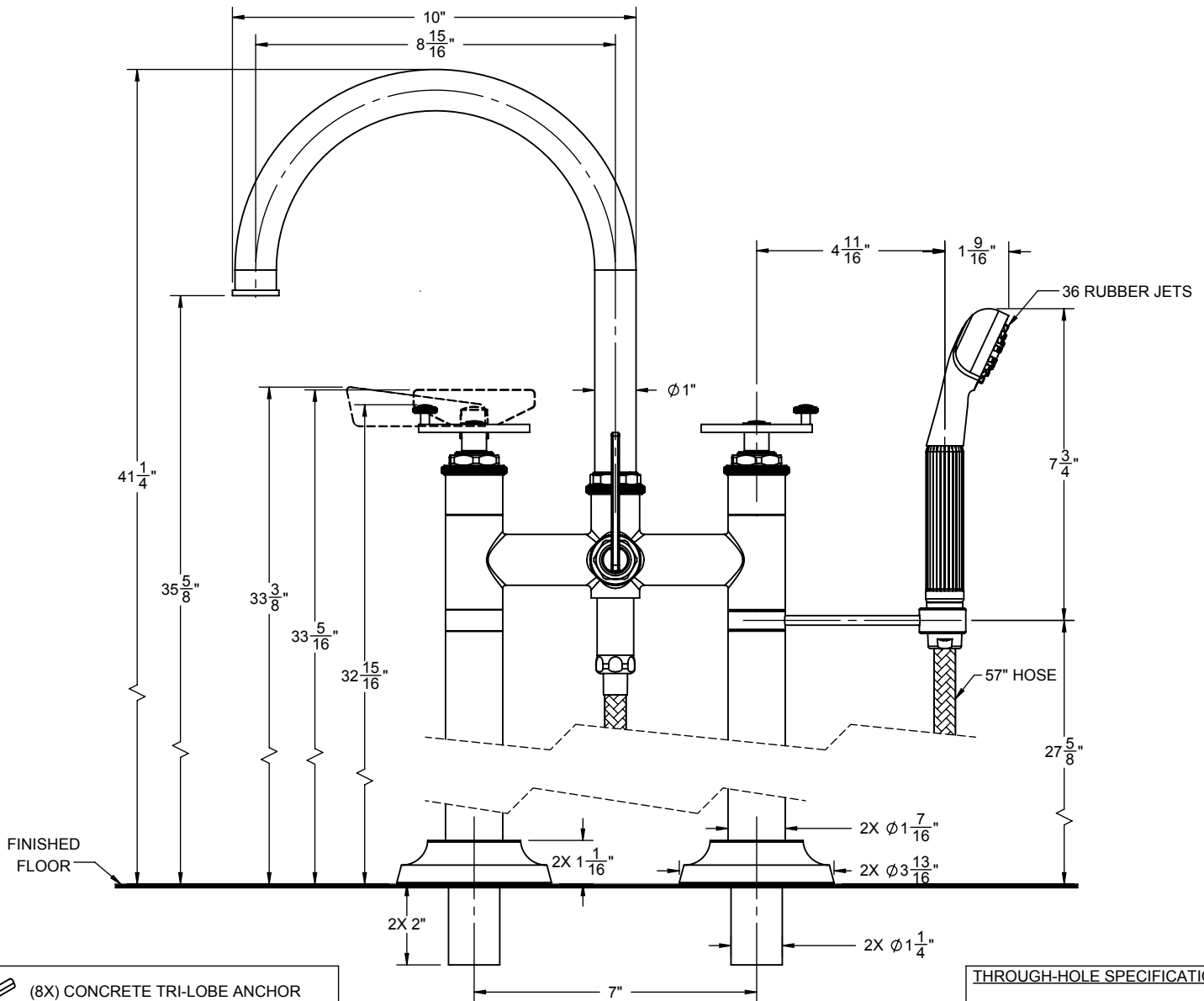
Product meets or exceeds the following:

- ASME A112.18.1/CSA B125.1
- CEC (1.8 gpm) / DOE (2.0 & 1.8 gpm)
- Commonwealth of MA
- ADA compliant (with lever handles)
- Local codes may require installation of an upstream tempering valve



8608-ETF.18 SHOWN

- 8608W-ETF.20
- 8608W-ETF.18
- 8608B-ETF.20
- 8608B-ETF.18
- 8608-ETF.20
- 8608-ETF.18



- (8X) CONCRETE TRI-LOBE ANCHOR
- (8X) #10 X 2 STAINLESS STEEL SCREW

SPECIFICATIONS SUBJECT TO CHANGE WITHOUT NOTICE

ALL DIMENSIONS SHOWN TO NEAREST 1/16"