



California Faucets®

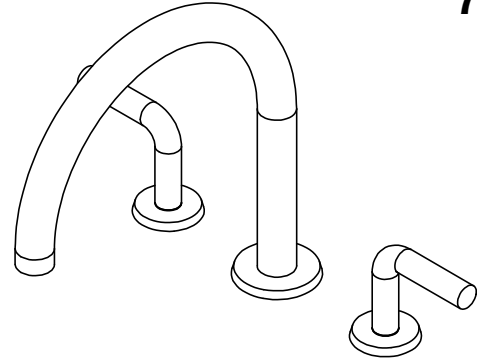
Gaviota™

ROMAN TUB SET

7508

Features

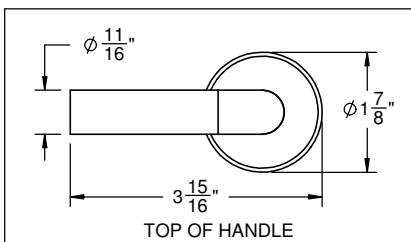
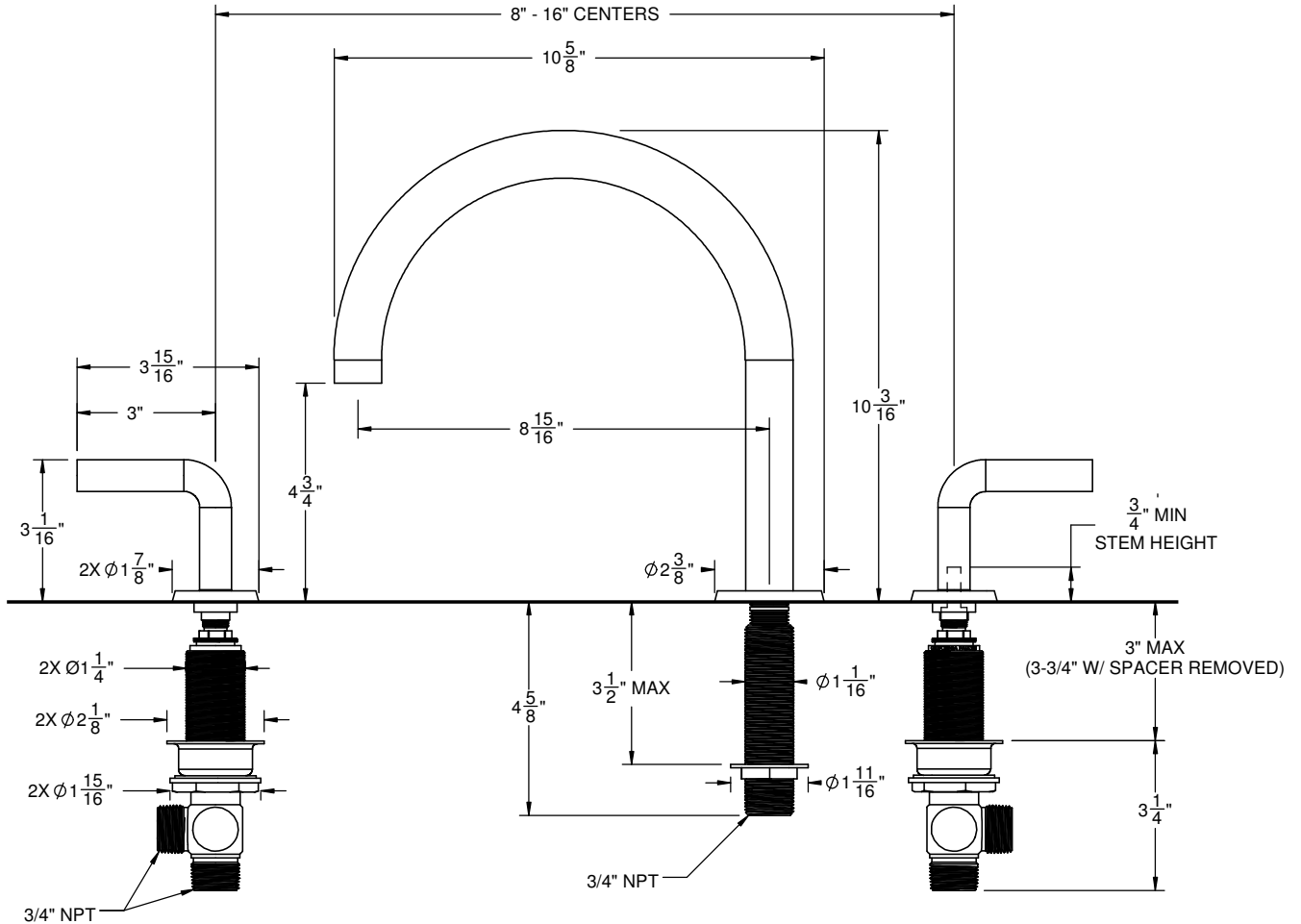
- 8-15/16" spout center to center
- Max flow rate: 16 gpm (60.6 L/min)
- Includes rough in valve
- 1/4 turn ceramic disc cartridges
- Solid brass construction
- Over 30 finishes including 15 PVD finishes



Codes/Standards

Product meets or exceeds the following:

- ASME A112.18.1/CSA B125.1
- Commonwealth of MA
- ADA compliant



THROUGH-HOLE SPECIFICATIONS		
MIN	RECOMMENDED	MAX
SPOUT: $\phi 1 \frac{1}{16}$ "	$\phi 1 \frac{3}{8}$ "	$\phi 1 \frac{1}{2}$ "
VALVE: $\phi 1 \frac{1}{4}$ "	$\phi 1 \frac{3}{8}$ "	$\phi 1 \frac{5}{8}$ "

SPECIFICATIONS SUBJECT TO CHANGE WITHOUT NOTICE

ALL DIMENSIONS SHOWN TO NEAREST 1/16"