



California Faucets®

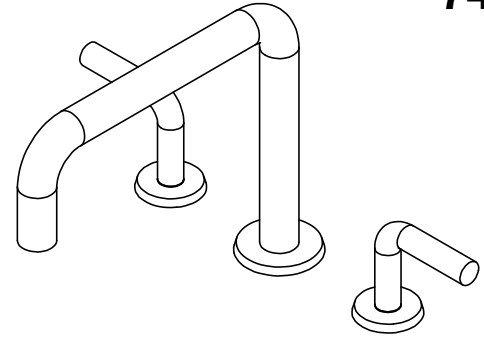
# Tamalpais™

## ROMAN TUB SET

### 7408

### Features

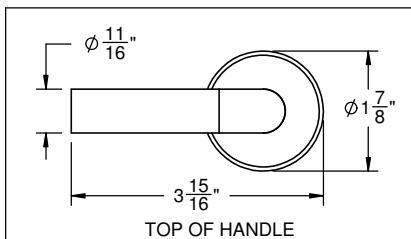
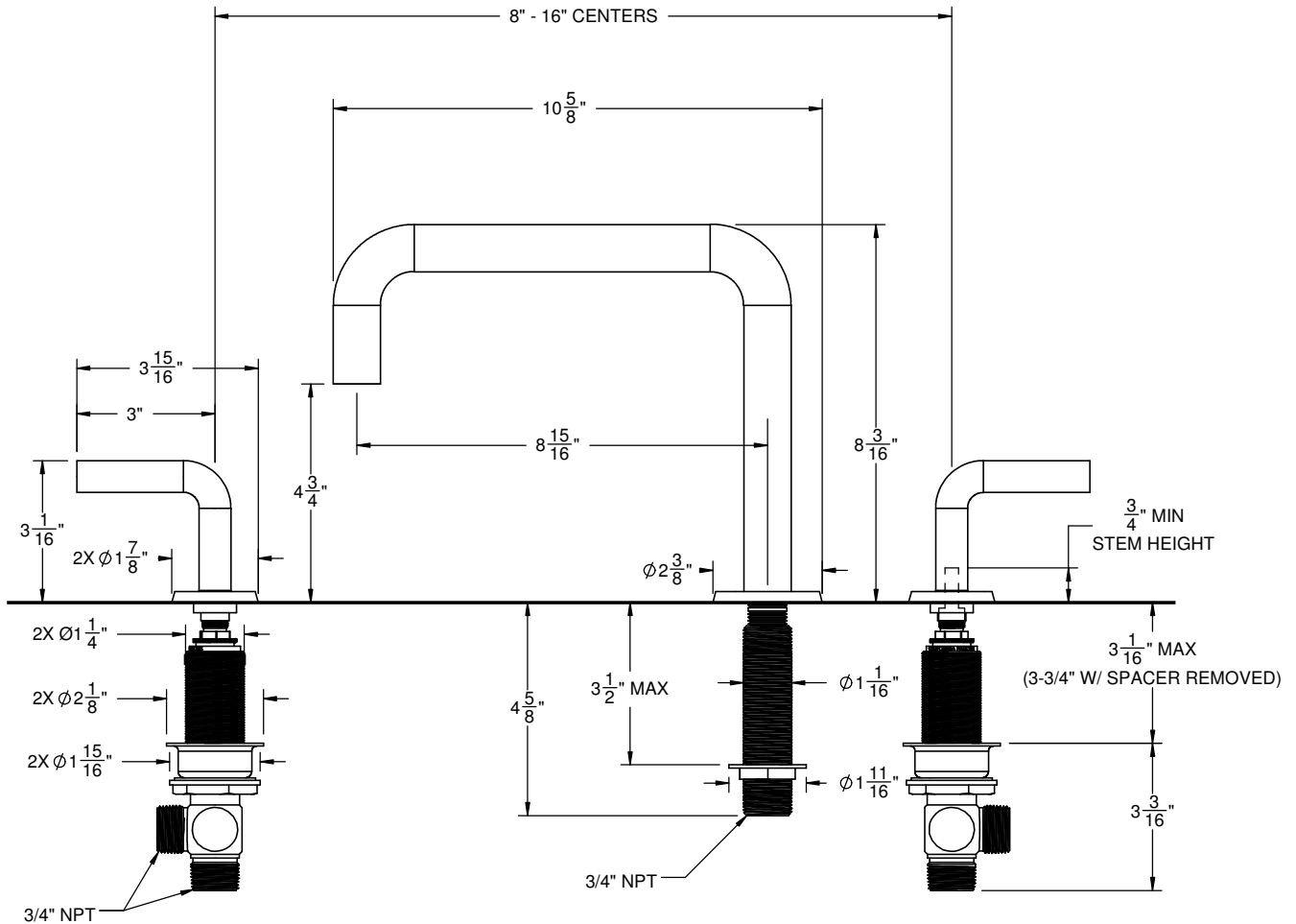
- 8-15/16" spout center to center
- Max flow rate: 16 gpm (60.6 L/min)
- Includes rough in valves
- 1/4 turn ceramic disc cartridges
- Solid brass construction
- Over 30 finishes including 15 PVD finishes



### Codes/Standards

Product meets or exceeds the following:

- ASME A112.18.1/CSA B125.1
- Commonwealth of MA
- ADA compliant



| THROUGH-HOLE SPECIFICATIONS |             |          |
|-----------------------------|-------------|----------|
| MIN                         | RECOMMENDED | MAX      |
| SPOUT: Ø 1-1/16"            | Ø 1-3/8"    | Ø 1-1/2" |
| VALVE: Ø 1-1/4"             | Ø 1-3/8"    | Ø 1-5/8" |

SPECIFICATIONS SUBJECT TO CHANGE WITHOUT NOTICE

ALL DIMENSIONS SHOWN TO NEAREST 1/16"