



Features

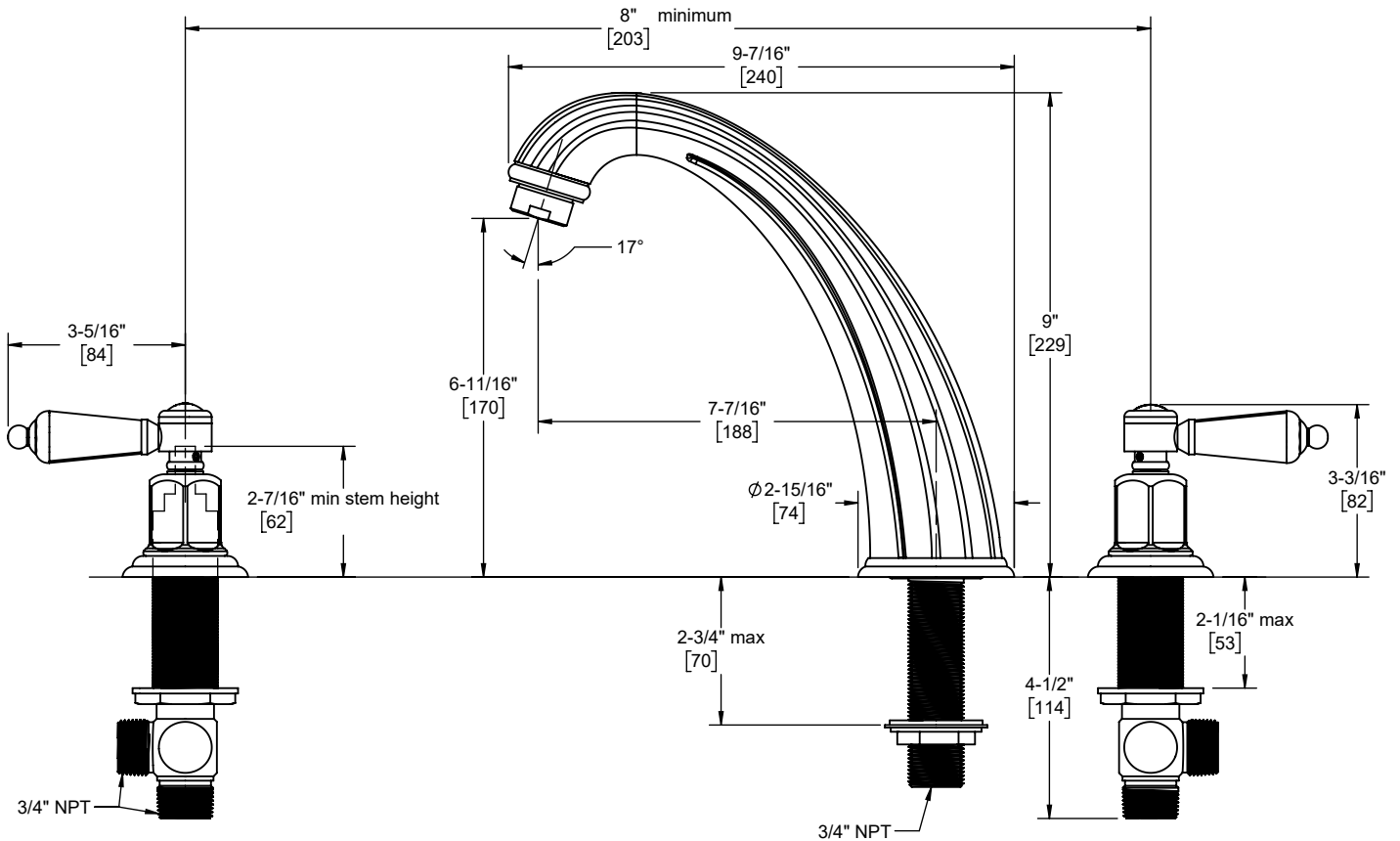
- Available in 27 finishes including 12 PVD finishes
- All brass construction
- Spout has easy Quick Connect fitting
- Max Flow Rate: 16 gpm (60.6 L/min) at 60 psi
- Comes as complete set with trim and valves



Codes/Standards Applicable

Product meets or exceeds the following:

- ASME A112.18.1/CSA B125.1
- ADA compliant
- Installation of upstream tempering device may be required (verify local codes)



Through-Hole Specifications

	Min	Recommended	Max
Spout:	$\phi 1"$ [35]	$\phi 1-3/8"$ [35]	$\phi 1-5/8"$ [41]
Valve:	$\phi 1-1/4"$ [32]	$\phi 1-3/8"$ [35]	$\phi 1-5/8"$ [41]

Dimensions are inches, rounded to 1/16"
[Dimensions in brackets are mm, rounded to 1mm]