

Features

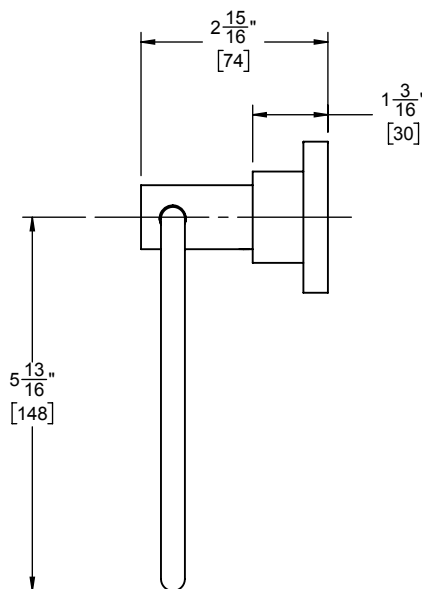
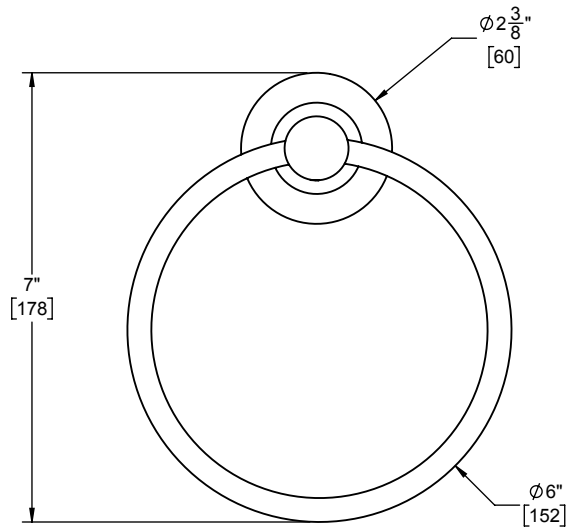
- Available in 28 finishes including 13 PVD finishes
- All brass construction
- Adjustable wall mount to allow proper horizontal leveling
- All mounting hardware included


65-TR

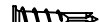


Codes/Standards

None applicable



 (2X) 8 X 1-1/2" [38] Phillips Head Screw

 (2X) 1 x 3/8" [10] Anchor

Dimensions are inches, rounded to 1/16"
[Dimensions in brackets are mm, rounded to 1mm]