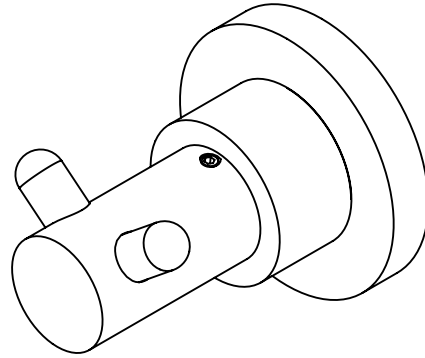




Features

- Available in 28 finishes including 13 PVD finishes
- All brass construction
- Adjustable wall mount to allow proper horizontal leveling
- Includes all mounting hardware

65-DRH



Codes/Standards Applicable

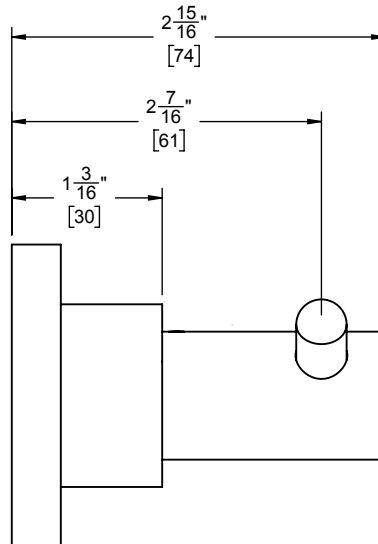
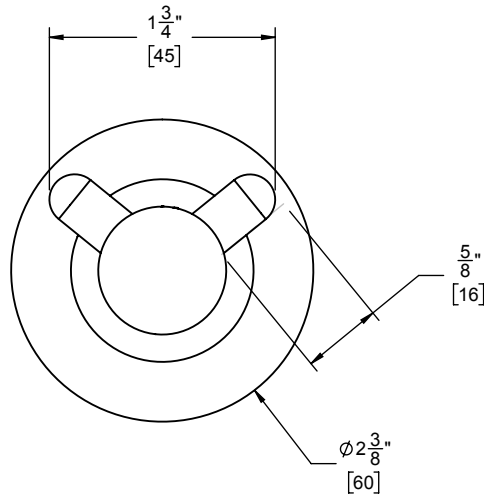
Meets or exceeds the following at date of manufacture:

- None applicable

(2X) 1 x 3/8" [10] ANCHOR



(2X) 8 X 1-1/2" [38] PHILLIPS HEAD SCREW



DIMENSIONS SHOWN TO NEAREST 1/16"
[DIMENSIONS SHOWN TO NEAREST 1mm]