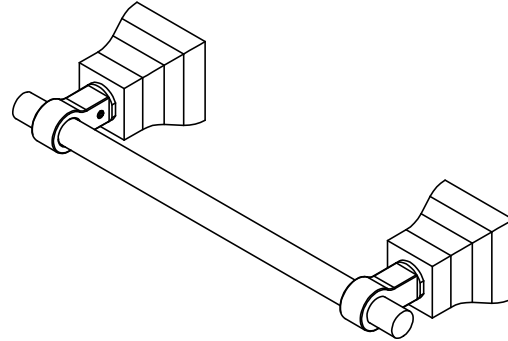


44-9

Features

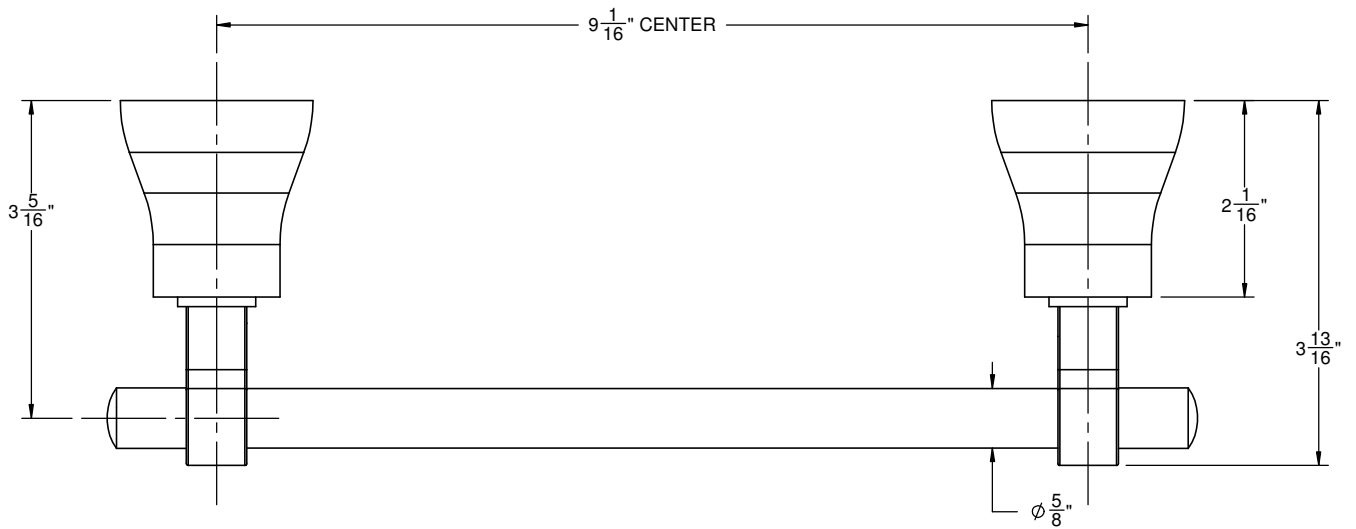
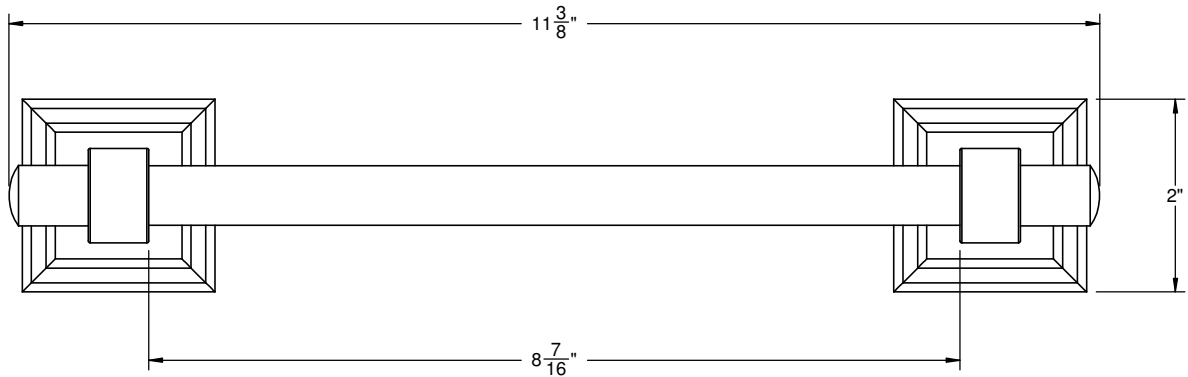
- Solid brass construction
- Includes all mounting hardware
- Over 30 finishes including 15 PVD finishes





Codes/Standards

Product meets or exceeds the following:

- None applicable



	(4X) 1 x 3/8" ANCHOR
	(4X) 8 x 1-1/2" PHILLIPS HEAD SCREW