

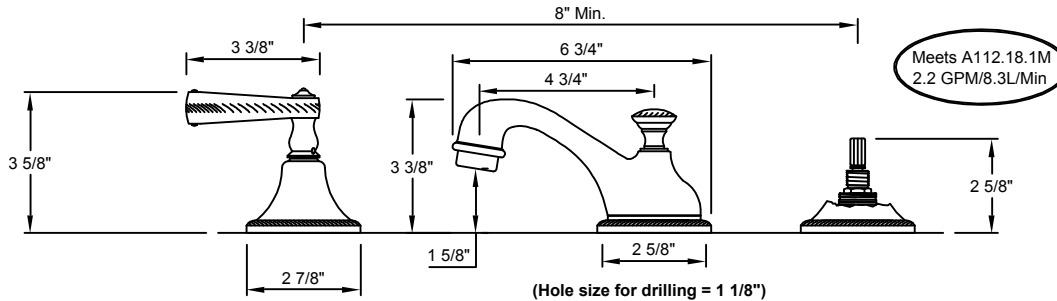
38 Series Specifications

"LA JOLLA"



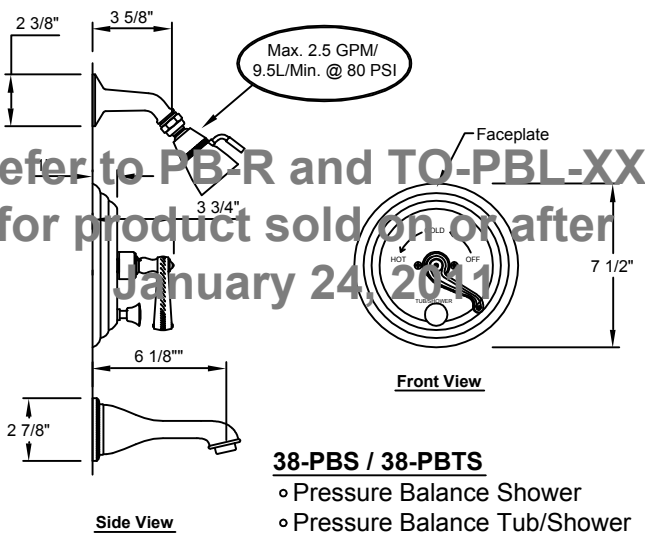
All California Faucets lever and blade handle products are American Disability Act (ADA) compliant.

California Faucets reserves the right to make modification and specification changes at any time. Please verify dimensions prior to installation. Visit www.calfaucets.com for most current technical data.

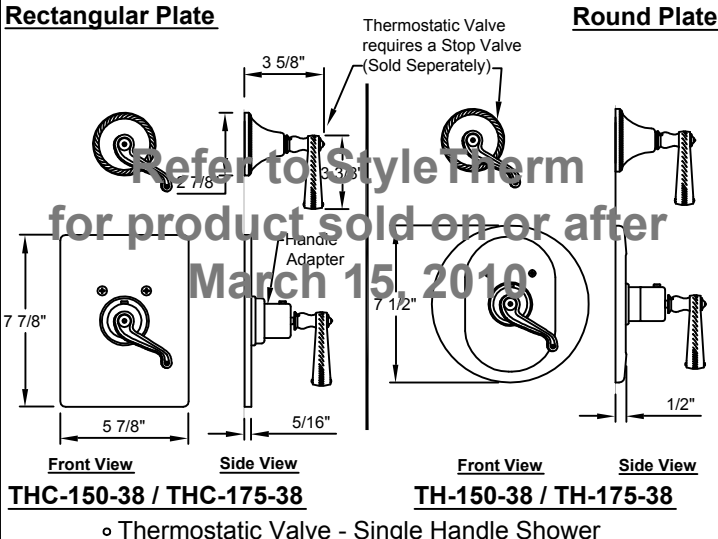


3802
 ◦ Widespread

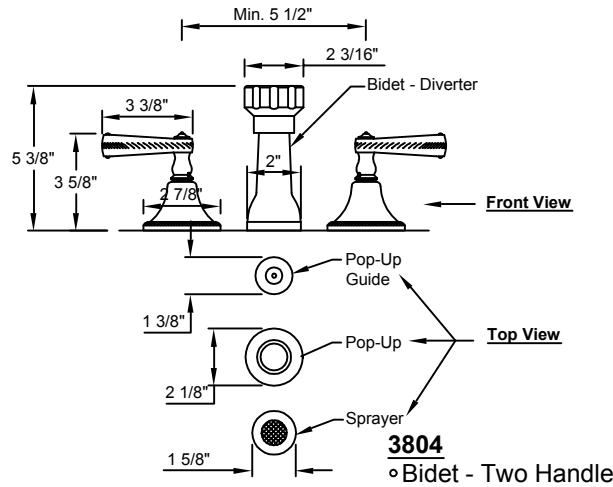
Refer to PB-R and TO-PBL-XX for product sold on or after January 24, 2011



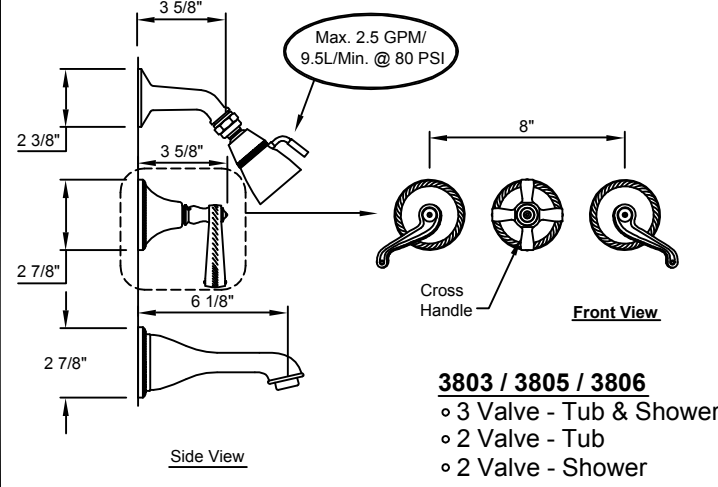
38-PBS / 38-PBTS
 ◦ Pressure Balance Shower
 ◦ Pressure Balance Tub/Shower



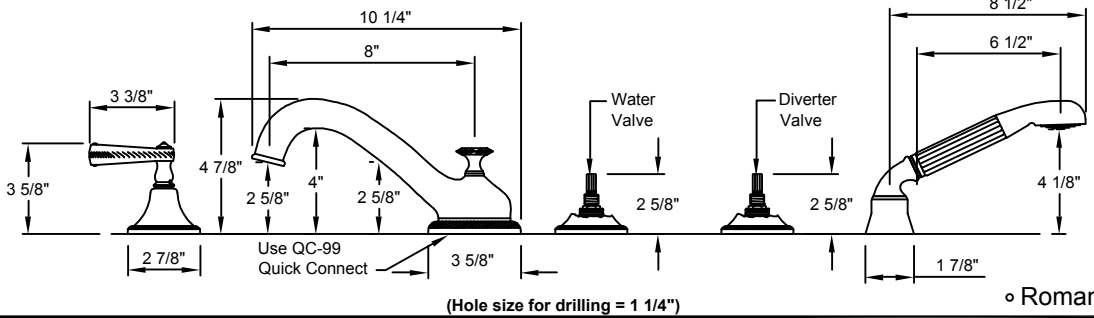
Rectangular Plate **Round Plate**
THC-150-38 / THC-175-38 **TH-150-38 / TH-175-38**
 ◦ Thermostatic Valve - Single Handle Shower



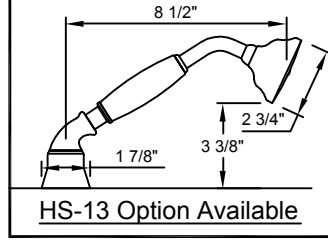
3804
 ◦ Bidet - Two Handle



3803 / 3805 / 3806
 ◦ 3 Valve - Tub & Shower
 ◦ 2 Valve - Tub
 ◦ 2 Valve - Shower



3808 w/ 38.1
 ◦ Roman - w/ Optional Hand Held Shower



HS-13 Option Available