



California Faucets®

San Elijo™

Roman Tub Set

Features

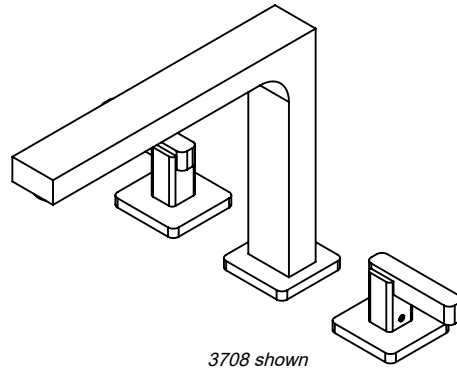
- 25+ artisan finishes including 12 PVD finishes
- All brass construction
- 16 gpm (60.6 L/min) max flow rate
- Comes as complete set with trim and valves

3708
3708T
3708X
3708XT

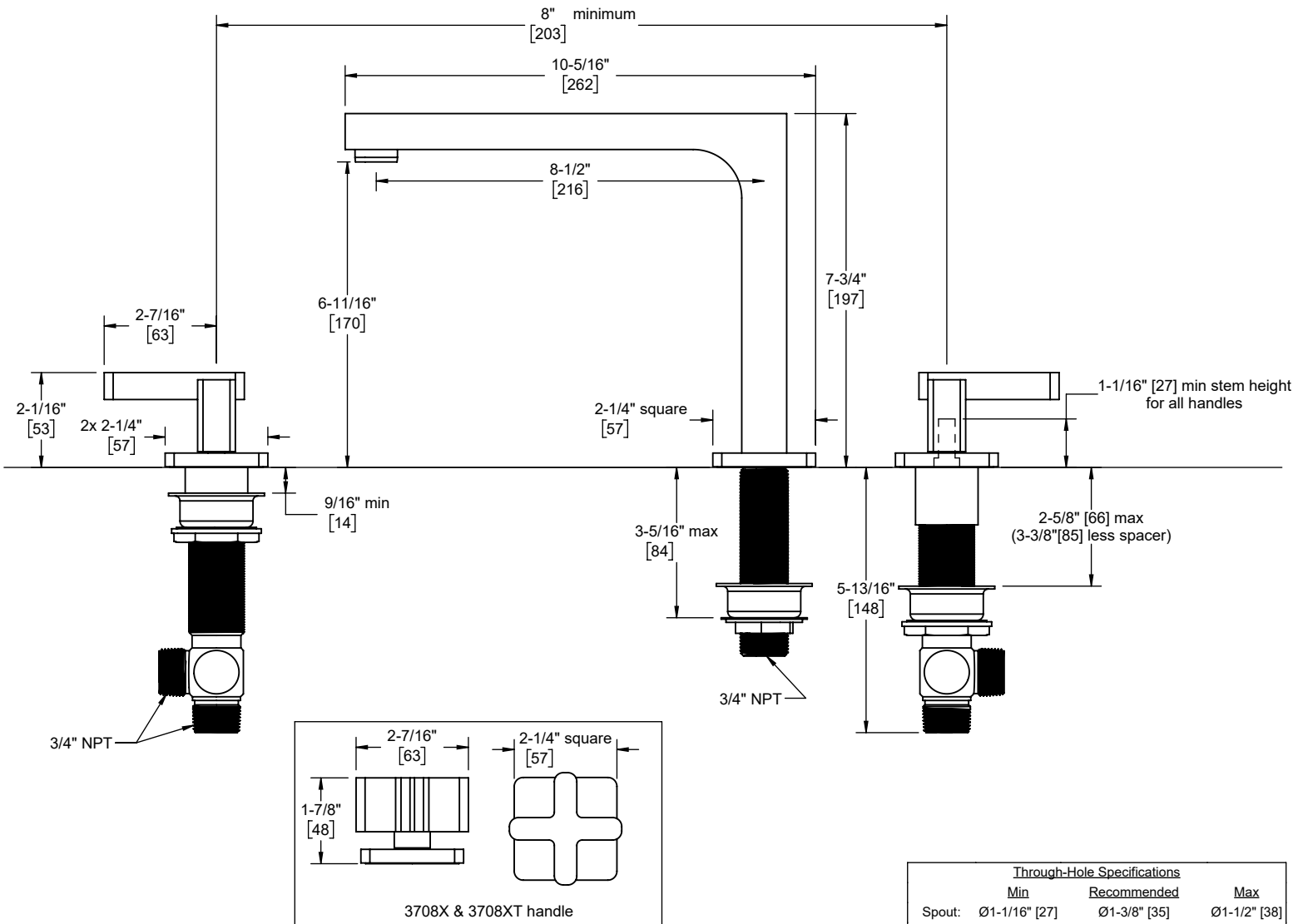
Codes/Standards Applicable

Product meets or exceeds the following:

- ASME A112.18.1/CSA B125.1
- Commonwealth of MA
- ADA compliant (lever handle only)
- Installation of upstream tempering device may be required (verify local codes)



3708 shown



Specifications subject to change without notice

Dimensions are inches, rounded to 1/16"
[Dimensions in brackets are mm, rounded to 1mm]