



Features

- Available in 27 finishes including 12 PVD finishes
- All brass construction
- Spout has easy Quick Connect fitting
- Max Flow Rate: 16 gpm (60.6 L/min) at 60 psi
- Comes as complete set with trim and valves

3108
3108K
3108F
3108X
3108XK
3108XF



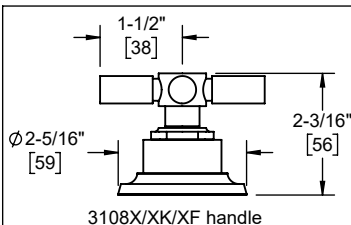
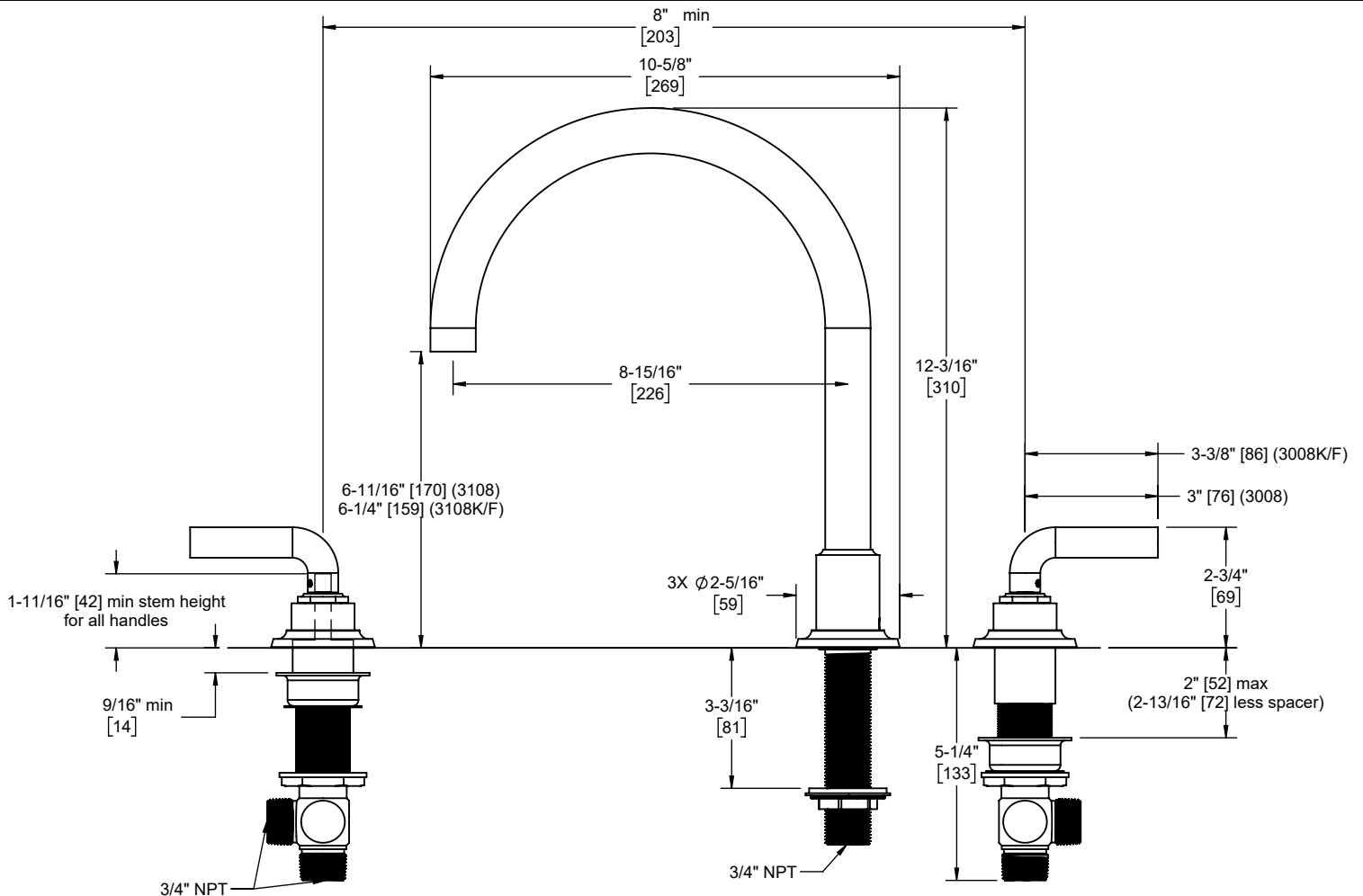
3108-ZZ shown



Codes/Standards Applicable

Product meets or exceeds the following:

- ASME A112.18.1/CSA B125.1
- ADA compliant (lever handle only)



Through-Hole Specifications			
	Min	Recommended	Max
Spout: Ø 1"	[25]	Ø 1-3/8" [35]	Ø 1-5/8" [41]
Valve: Ø 1-1/4"	[32]	Ø 1-3/8" [35]	Ø 1-5/8" [41]

Dimensions are inches, rounded to 1/16"
[Dimensions in brackets are mm, rounded to 1mm]