



California Faucets®

DELUXE DECK MOUNT "TELEPHONE" HANDSHOWER AND TUB FILLER

Balboa™

Features

- No additional wall or trap stabilizer required
- Tub filler maximum flow rate: 10 gpm (37.9 L/min) at 60 psi
- Handshower flow rate: 2.0 gpm (7.6 L/min) or 1.8 gpm (6.8 L/min)
- 1/4 turn ceramic disc cartridges
- All brass construction
- Over 30 finishes including 15 PVD finishes

Codes/Standards

Product meets or exceeds the following:

- ASME A112.18.1/CSA B125.1
- CEC (1.8gpm) / DOE (2.0 and 1.8gpm)
- Commonwealth of MA
- EPA Watersense handshower (2.0gpm)
- ADA compliant (with lever handles)
- Local codes may require installation of an upstream tempering valve

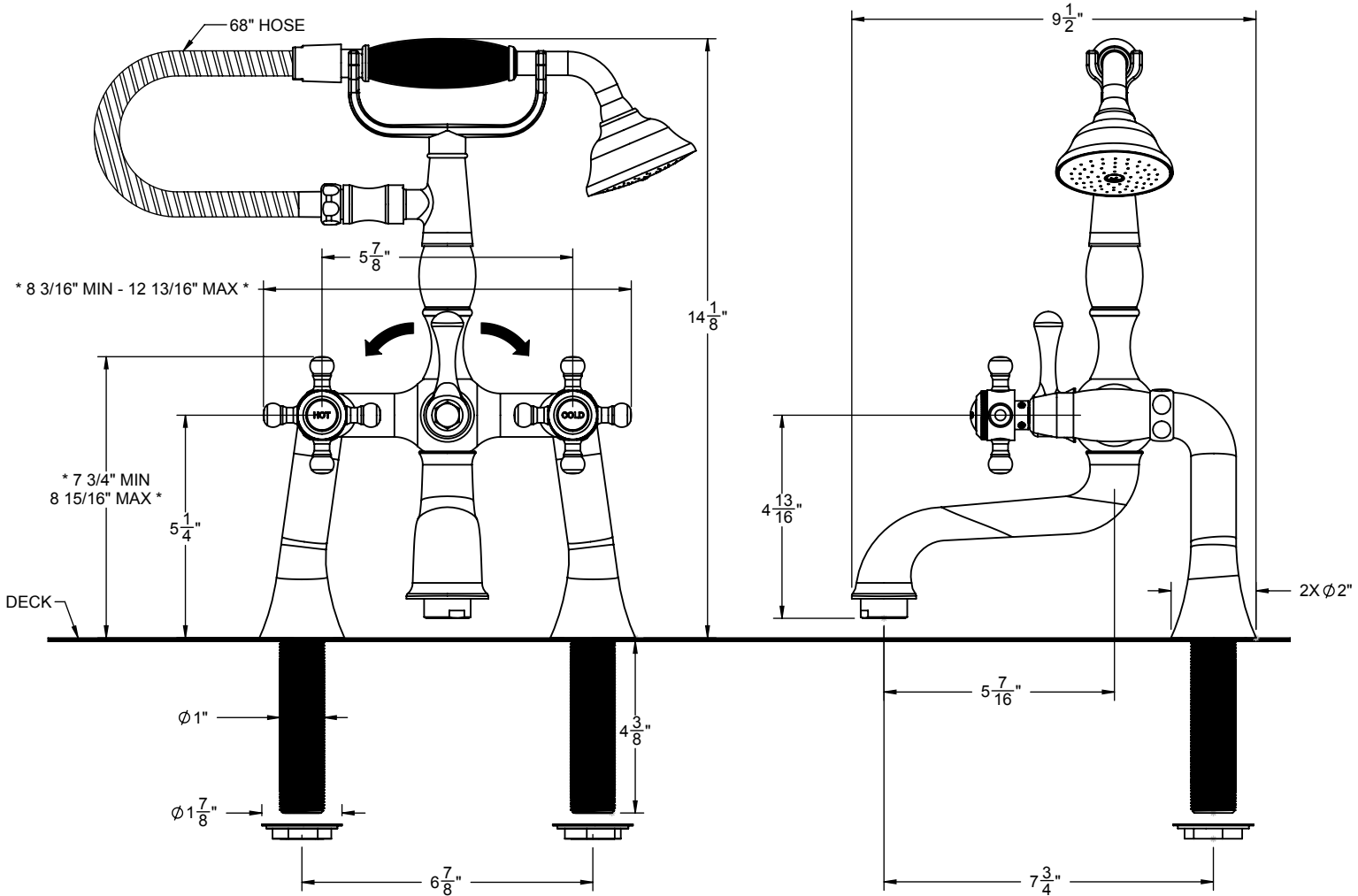


1508-D-47.FR SHOWN

1508-D-XX.13M.20
 1508-D-XX.13M.18
 1508-D-XX.20
 1508-D-XX.18



XX= DENOTES HANDLE SERIES



THROUGH-HOLE SPECIFICATIONS		
MIN	RECOMENDED	MAX
Ø1"	Ø1-1/8"	Ø1-1/2"

* = DIMENSION VARIES BASED ON HANDLE SERIES
SPECIFICATIONS SUBJECT TO CHANGE WITHOUT NOTICE

ALL DIMENSIONS SHOWN TO NEAREST 1/16"