



California Faucets®

DELUXE FLOOR MOUNT "TELEPHONE" HANDSHOWER & TUB FILLER

Balboa™

Features

- Tub filler maximum flow rate: 10 gpm (37.9 L/min) at 60 psi
- Handshower flow rate: 2.0 gpm (7.6 L/min) or 1.8 gpm (6.8 L/min)
- 1/4 turn ceramic disc cartridges
- Requires 9525 or 9530 stabilizer kit
- All brass construction
- Over 30 finishes including 15 PVD finishes

Codes/Standards Applicable

Product meets or exceeds the following:

- ASME A112.18.1/CSA B125.1
- CEC (1.8 gpm) / DOE (2.0 & 1.8 gpm)
- Commonwealth of MA
- EPA WaterSense handshower (2.0 gpm)
- ADA compliant (with lever handles)
- Local codes may require installation of an upstream tempering valve

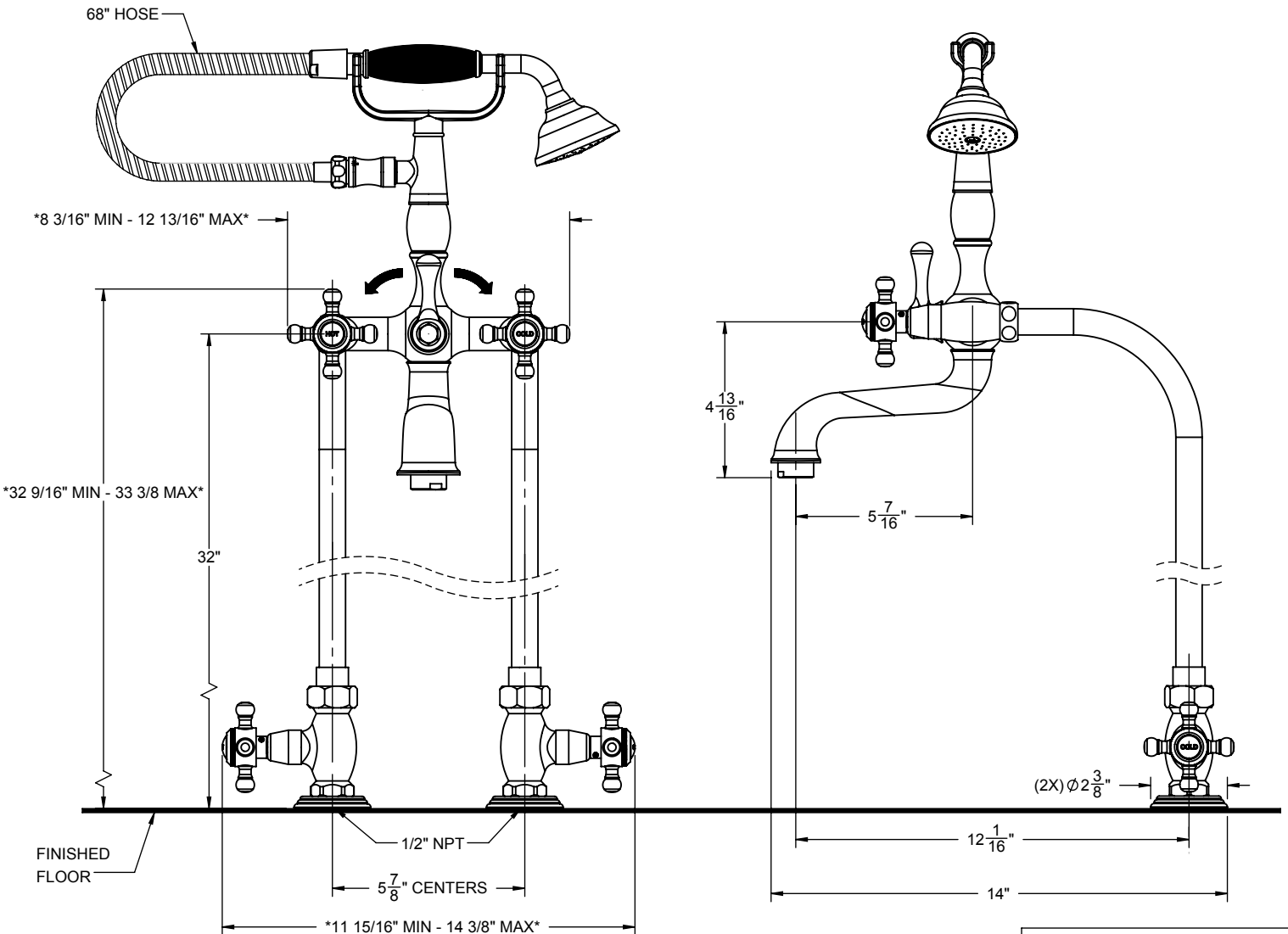


1503-47.FR SHOWN

1503-XX.13M.20  
 1503-XX.13M.18  
 1503-XX.20  
 1503-XX.18



XX = DENOTES HANDLE STYLE



THROUGH-HOLE SPECIFICATIONS		
MIN	RECOMMENDED	MAX
Ø 13/16"	Ø 7/8"	Ø 1-1/2"

\* = DIMENSION VARIES BASED ON HANDLE SERIES  
SPECIFICATIONS SUBJECT TO CHANGE WITHOUT NOTICE

ALL DIMENSIONS SHOWN TO NEAREST 1/16"