



California Faucets®

PALOMAR®

TRADITIONAL FLOOR MOUNT TUB FILLER WITH HANDSHOWER

Features

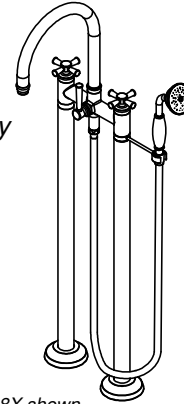
- No additional wall or trap stabilizer kit required
- Tub filler: Maximum flow rate: 15 gpm (60.6 L/min) at 60 psi
- Handshower: Maximum flow rate: 2.0 gpm (7.6 L/min)
- EPA WaterSense Certified handshower
- Rotatable handshower bracket may be placed on COLD or HOT side of body
- 1/4 turn ceramic disc cartridges
- Rough valve sold separately (9516)
- Replace "XX" with desired handle series
- Solid brass construction
- Over 30 finishes including 15 PVD finishes

Codes/Standards

Product meets or exceeds the following:

- ASME A112.18.1/CSA B125.1
- CEC
- ADA compliant (with lever handles)

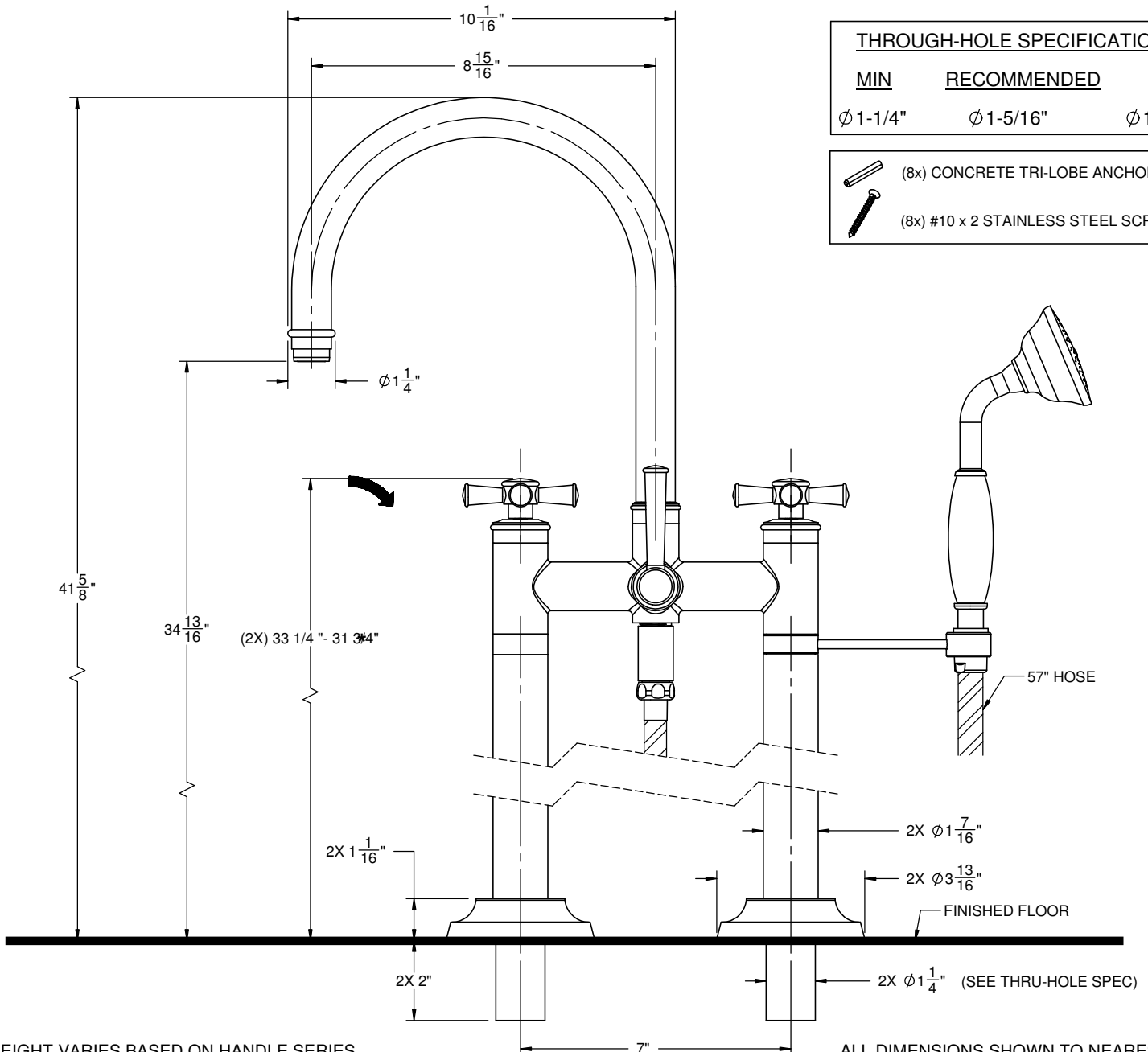
1303-XX.20
1303-XX.13M.20



1303-48X shown



XX = DENOTES HANDLE SERIES



* HEIGHT VARIES BASED ON HANDLE SERIES

ALL DIMENSIONS SHOWN TO NEAREST 1/16"