



Features

- Tub filler maximum flow rate: 15 gpm (56.8 L/min) at 60 psi
- Handshower flow rate: 2.0 gpm (7.6 L/min) or 1.8 gpm (6.8 L/min)
- Handshower bracket may be placed on COLD or HOT side of body
- 1/4 turn ceramic disc cartridges
- All brass construction
- Over 30 finishes including 15 PVD finishes

1008-XX.20
1008-XX.18



1008-30X.FR SHOWN

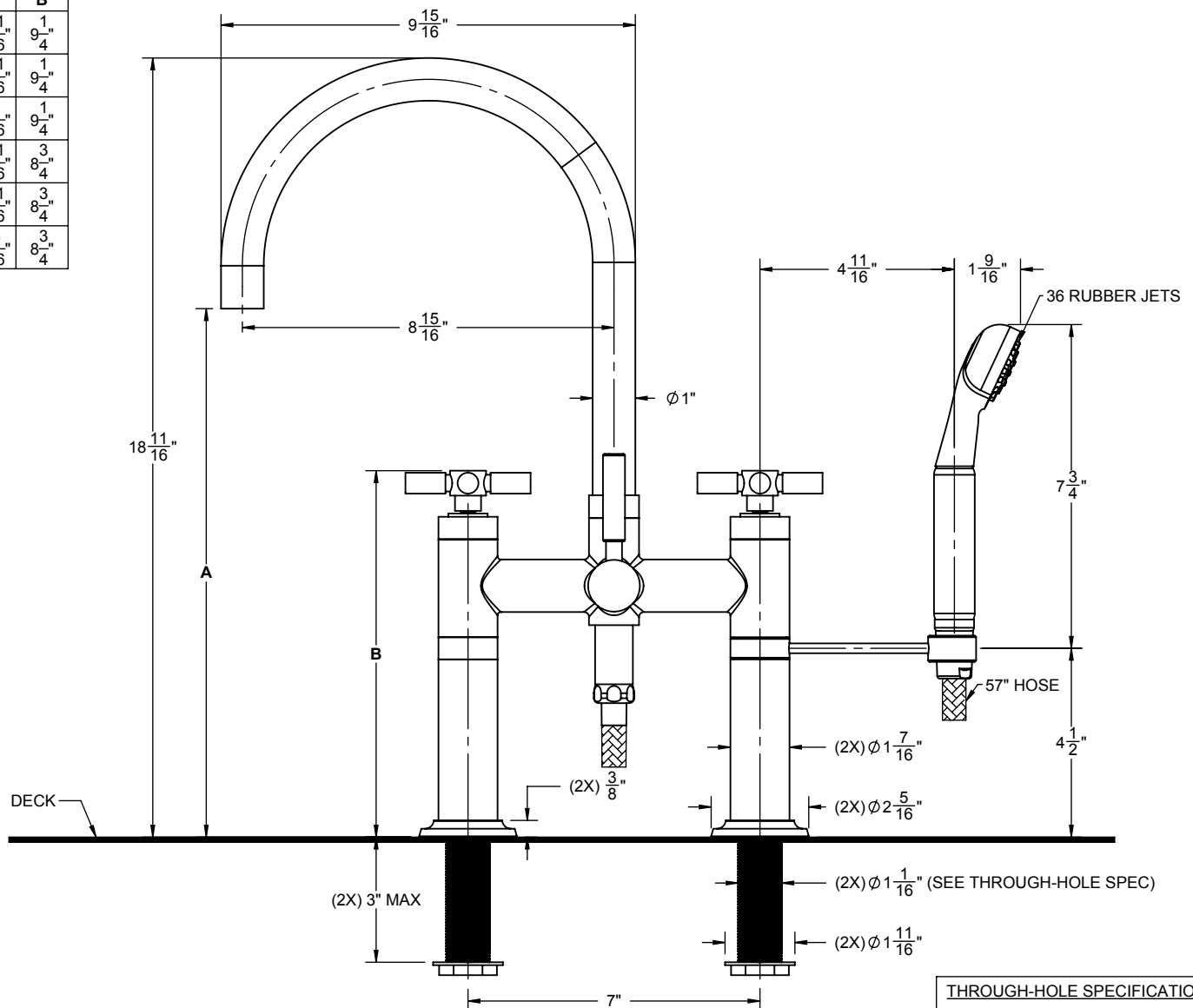
XX = DENOTES
HANDLE SERIES

Codes/Standards Applicable

Product meets or exceeds the following:

- ASME A112.18.1/CSA B125.1
- CEC (1.8 gpm) / DOE (2.0 & 1.8 gpm)
- Commonwealth of MA
- ADA compliant (with lever handles)
- Local codes may require installation of an upstream tempering valve

HANDLE	A	B
30	12 ¹¹ / ₁₆ "	9 ¹ / ₄ "
30F	12 ¹¹ / ₁₆ "	9 ¹ / ₄ "
30K	12 ⁵ / ₁₆ "	9 ¹ / ₄ "
30X	12 ¹¹ / ₁₆ "	8 ³ / ₄ "
30XF	12 ¹¹ / ₁₆ "	8 ³ / ₄ "
30XK	12 ⁵ / ₁₆ "	8 ³ / ₄ "



THROUGH-HOLE SPECIFICATIONS		
MIN	RECOMMENDED	MAX
Ø 1-1/16"	Ø 1-5/16"	Ø 1-3/8"