



Features

- Tub filler: Maximum flow rate: 15 gpm (56.8 L/min) at 60 psi
- Handshower: Flow rate: 2.0 gpm (7.6 L/min) or 1.8 gpm (6.8 L/min)
- Handshower bracket may be placed on COLD or HOT side of body
- 1/4 turn ceramic disc cartridges
- All brass construction
- Over 30 finishes including 15 PVD finishes

0908-XX.20
0908-XX.18



0908-30F.FR SHOWN

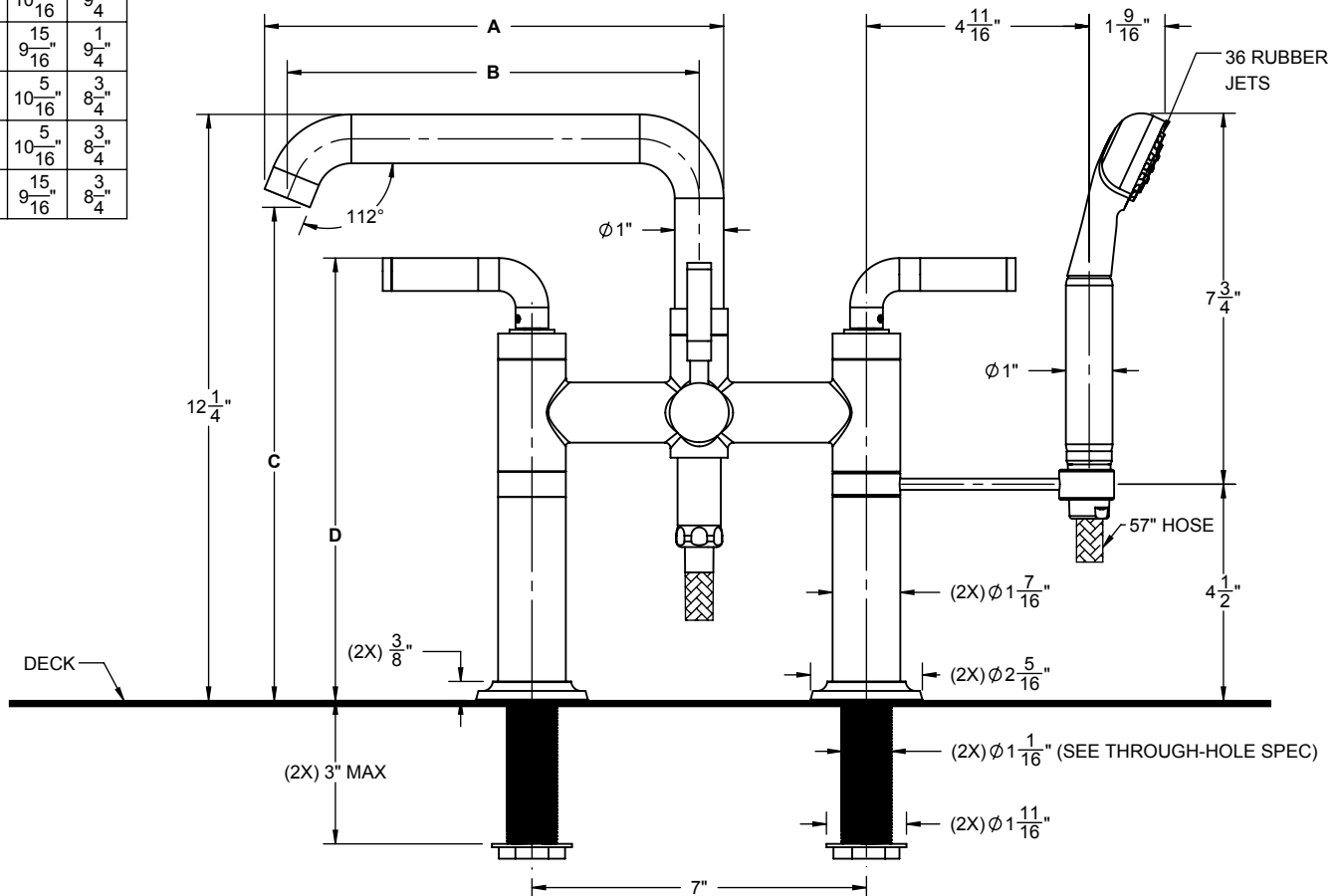
XX = DENOTES HANDLE SERIES

Codes/Standards Applicable

Product meets or exceeds the following:

- ASME A112.18.1/CSA B125.1
- CEC (1.8 gpm) / DOE (2.0 & 1.8 gpm)
- Commonwealth of MA
- ADA compliant (with lever handles)
- Local codes may require installation of an upstream tempering valve

HANDLE	A	B	C	D
30	9 5/8"	8 5/8"	10 5/16"	1 1/4"
30F	9 5/8"	8 5/8"	10 5/16"	1 1/4"
30K	9 3/4"	8 3/4"	15 9/16"	1 1/4"
30X	9 5/8"	8 5/8"	10 5/16"	3 3/4"
30XF	9 5/8"	8 5/8"	10 5/16"	3 3/4"
30XK	9 3/4"	8 3/4"	15 9/16"	3 3/4"



THROUGH-HOLE SPECIFICATIONS		
MIN	RECOMMENDED	MAX
Ø 1-1/16"	Ø 1-5/16"	Ø 1-3/8"