



California Faucets®

**Descanso®**

Industrial Wall Mount Tub Filler With Handshower

**Features**

- 25+ artisan finishes including 12 PVD finishes
- All brass construction
- 15 gpm (56.8 L/min) tub filler max flow rate at 60 psi
- 2.0 gpm (7.6 L/min) or 1.8 gpm (6.8 L/min) handshower max flow rate
- 1/4 turn ceramic disc cartridges

**Codes/Standards Applicable**

Product meets or exceeds the following:

- ASME A112.18.1/CSA B125.1
- CEC (1.8 gpm) / DOE (2.0 & 1.8 gpm)
- EPA WaterSense handshower (2.0 gpm)
- Commonwealth of MA
- ADA compliant (lever handles only)
- Local codes may require installation of an upstream tempering valve

**0906-XX.20**  
**0906-XX.18**



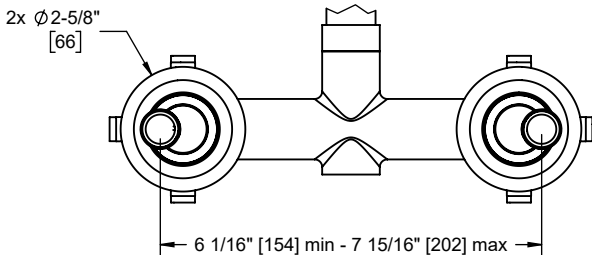
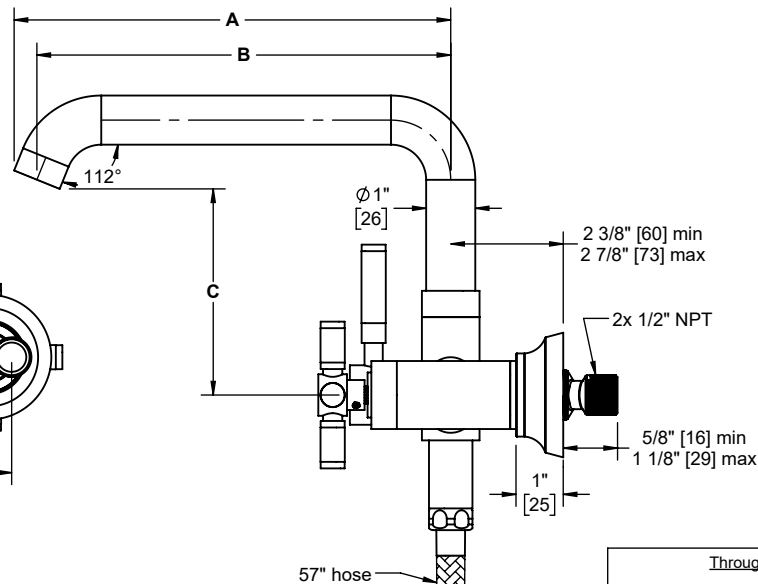
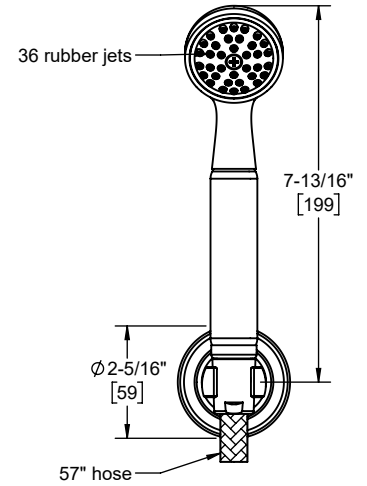
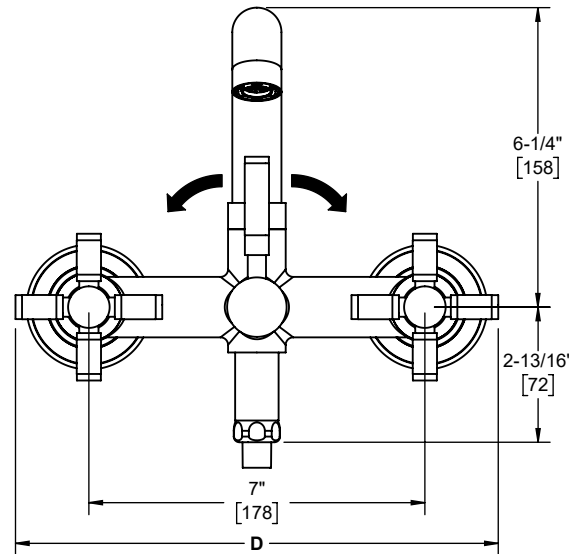
0906-30XF.FR shown



XX denotes handle series



Handle Series	A	B	C	D
30 30F 30T	9-1/8" [232]	8-5/8" [219]	4-5/16" [110]	13" [330]
30K	9-1/4" [235]	8-3/4" [222]	3-15/16" [100]	13-1/4" [337]
30X 30XF 30XT	9-1/8" [232]	8-5/8" [219]	4-5/16" [110]	10-1/16" [256]
30XK	9-1/4" [235]	8-3/4" [222]	3-15/16" [100]	10" [254]
80	9-1/8" [232]	8-5/8" [219]	4-5/16" [110]	13-1/2" [343]
80W 80WB 80WR	9-1/8" [232]	8-5/8" [219]	4-5/16" [110]	9-1/4" [234]



- 1x plastic #8-10 finned anchor
- 1x #10 X 2 stainless steel screw

Through-Hole Specifications		
Min	Recommended	Max
Ø 1-13/16" [46]	Ø 1-7/8" [48]	Ø 2" [51]

Dimensions are inches, rounded to 1/16"  
[Dimensions in brackets are mm, rounded to 1mm]

Specifications subject to change without notice