



Features

- 25+ artisan finishes including 12 PVD finishes
- All brass construction
- 15 gpm (56.8 L/min) tub filler max flow rate at 60 psi
- 2.0 gpm (7.6 L/min) or 1.8 gpm (6.8 L/min) handshower max flow rate
- 1/4 turn ceramic disc cartridges

0806-XX.20
0806-XX.18

Codes/Standards Applicable

Product meets or exceeds the following:

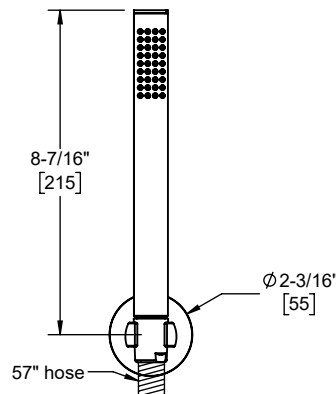
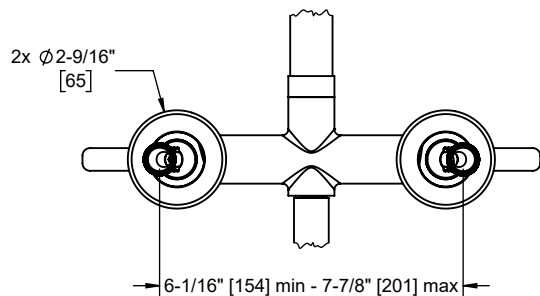
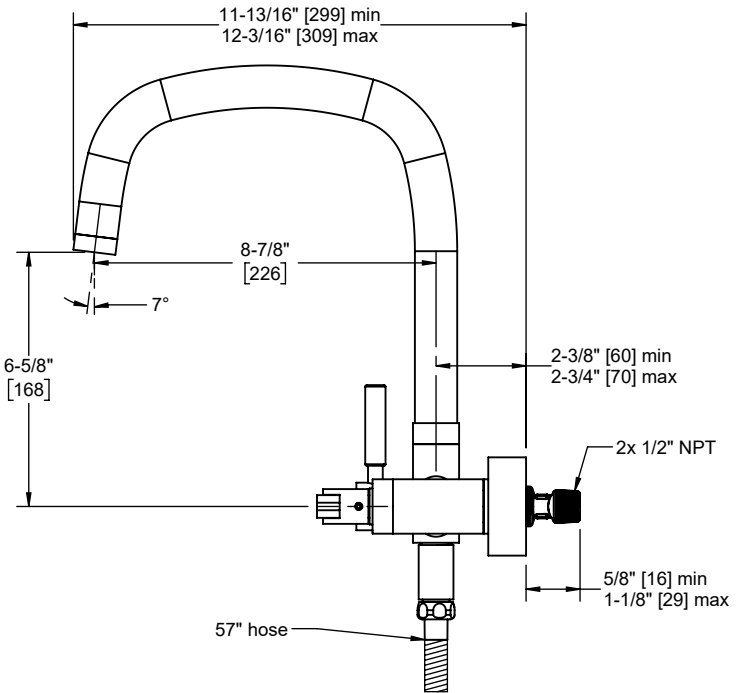
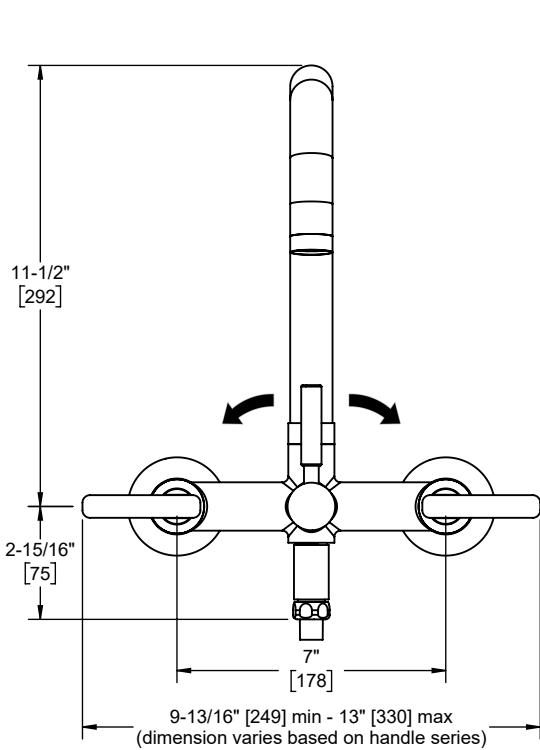
- ASME A112.18.1/CSA B125.1
- CEC (1.8 gpm) / DOE (2.0 & 1.8 gpm)
- EPA WaterSense handshower (2.0 gpm)
- Commonwealth of MA
- ADA compliant (lever handles only)
- Local codes may require installation of an upstream tempering valve



0806-37.FR-SN shown



XX = Denotes handle style



Through-Hole Specifications		
Min	Recommended	Max
Ø1-1/4" [32]	Ø1-3/4" [45]	Ø2" [51]

- 1x plastic #10 finned anchor
- 1x #10 x 2" stainless steel screw