



California Faucets®

30.15S, 30F.15S, 30K.15S, 30X.15S, 30XF.15S, 30XK.15S, 33.13, 33.15, 33.15S, 34.13, 34.13M, 34.15, 35.13, 35.13M, 35.15, 37.72, 38.62, 38T.62, 38X.62, 38XT.62, 39.62, 40.62, 45X.62, 46.13, 46.13M, 46.15, 46.15S, 47.13, 47.13M, 47.15, 48.13, 48.13M, 48.15, 48.15S, 48X.13, 48X.13M, 48X.15S, 52F.62, 52K.62, 53.62, 53F.62, 53K.62, 55.13, 55.13M, 55.15, 60.13, 60.13M, 60.15, 60.15S, 61.13, 61.13M, 61.15, 61.15S, 61XD.13, 61XD.13M, 61XD.15, 61XD.15S, 62.62, 64.13, 64.13M, 64.15, 64.15S, 68.13, 68.13M, 68.15, 70.72, 74.62, 77R.72, 80.15S, 80W.15S, 80WB.15S, 80WR.15S

Handshower and Diverter Trim Only Installation Instructions

CALIFORNIA FAUCETS RECOMMENDS THAT ALL PLUMBING PRODUCTS BE INSTALLED BY A LICENSED PROFESSIONAL

IMPORTANT: Read all instructions prior to installation and provide copy of instructions to consumer.

Operating Specifications:

Recommended Supply Pressure: 20 to 70 psi* [1.4 to 4.8 bar]

Maximum Flow Rate: 1.5 gpm [57 Lpm]

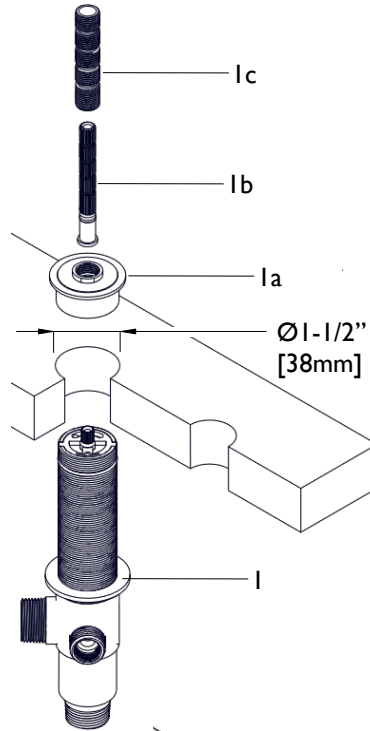
* Operating pressures between hot and cold supplies should vary no more than 30 psi [2.1 bar].

† If water pressure exceeds 70 psi [4.8 bar], install a Pressure-Reducing Valve (PRV).

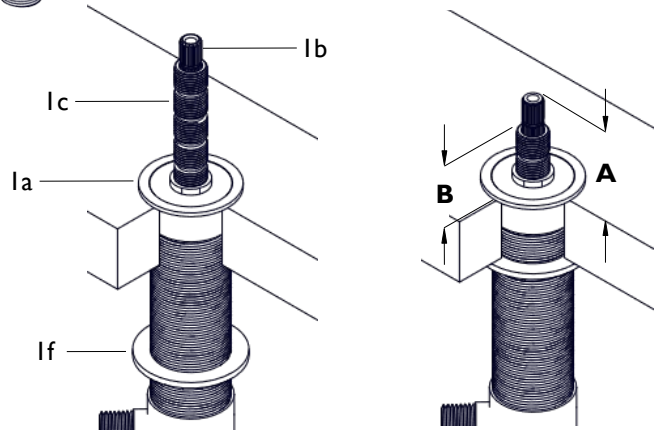
IA INSTALLING DIVERTER VALVE

IMPORTANT: If installing 62.62, 74.62, or 77R.72, skip this step and go to Step 1B. For all other products, skip Step 1B

- Tub/Deck recommended hole size shall be **Ø1-1/2" [38mm]**
- Unscrew ALLTHREAD (1c), remove STEM (1b) and unscrew diverter TOP NUT (1a)
- From underside, slide DIVERTER (1) up through tub/deck hole and tighten TOP NUT (1a) onto DIVERTER (1) body
- From underside, secure DIVERTER (1) into place by tightening FLANGE NUT (1f)
- Using the table on the right, trim STEM (1b) to a height of **dimension A**, then slide into place
- Trim ALLTHREAD (1c) to **dimension B**, then tighten into place
- Place HANDLE (3a) on DIVERTER (1) to confirm proper alignment. Rotate & retighten DIVERTER (1) if necessary



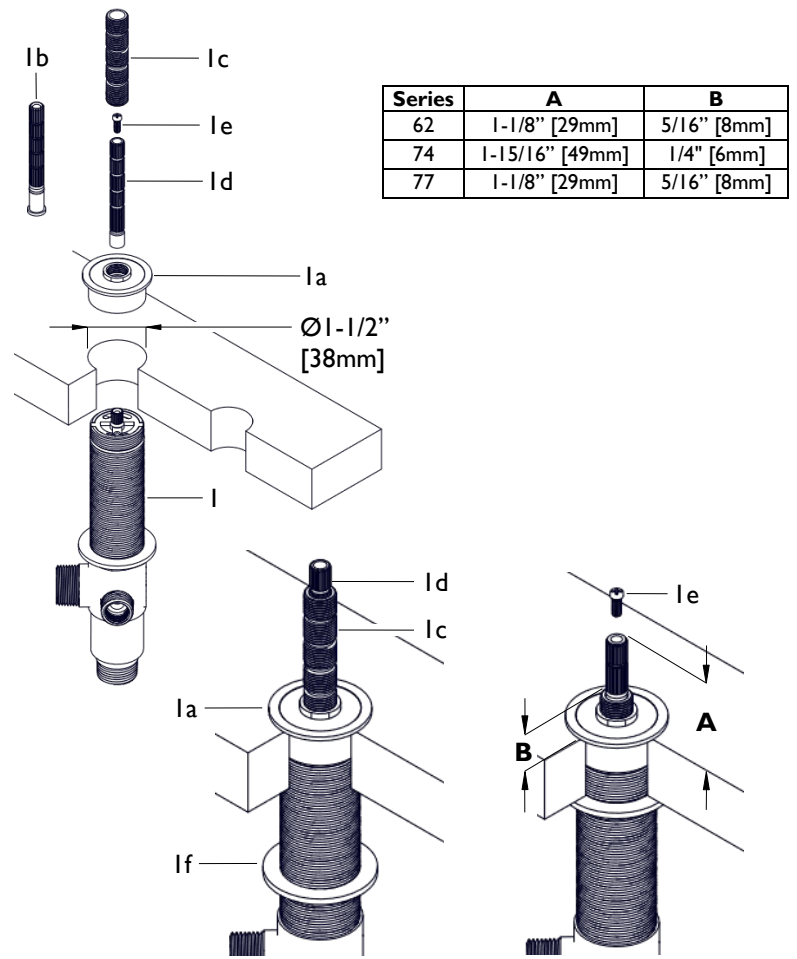
Series	A	B
30	1-11/16" [42mm]	1" [25mm]
33	2-5/16" [59mm]	1-1/2" [38mm]
34	2-5/16" [59mm]	1-1/2" [38mm]
35	2-5/16" [59mm]	1-1/2" [38mm]
37	1-1/8" [29mm]	5/16" [8mm]
38	1-1/16" [27mm]	5/16" [8mm]
39	1-3/8" [35mm]	5/16" [8mm]
40	1-1/16" [27mm]	5/16" [8mm]
45	2"-5/16" [59mm]	1" [25mm]
46	2-5/16" [59mm]	1-3/8" [35mm]
47	2-5/16" [59mm]	1-3/8" [35mm]
48	2-5/16" [59mm]	1-1/2" [38mm]
52	1-3/8" [35mm]	9/16" [14mm]
53	1-3/8" [35mm]	9/16" [14mm]
55	2-3/8" [60mm]	1-5/8" [41mm]
60	2-1/4" [57mm]	1-3/8" [35mm]
61	2-1/16" [53mm]	1-3/8" [35mm]
64	2-13/16" [72mm]	1-11/16" [43mm]
68	2-7/16" [62mm]	1-1/2" [38mm]
70	1-3/8" [35mm]	1/2" [13mm]
80	1-1/2" [38mm]	3/4" [19mm]



1B INSTALLING DIVERTER VALVE

IMPORTANT: This step is only for 62,62, 74,62, or 77R,72

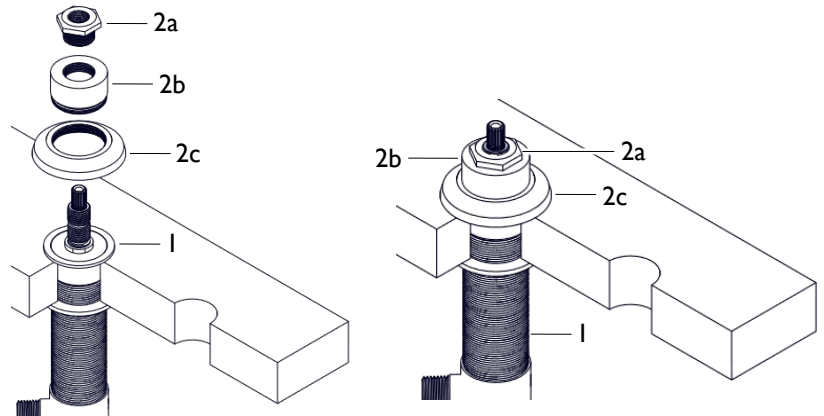
- Tub/Deck recommended hole size shall be **Ø1-1/2" [38mm]**
- Unscrew ALLTHREAD (1c) and discard STEM (1b). Unscrew diverter TOP NUT (1a)
- From underside, slide DIVERTER (1) up through tub/deck hole and tighten TOP NUT (1a) onto DIVERTER (1) body
- From underside, secure DIVERTER (1) into place by tightening FLANGE NUT (1f)
- Use BROACH EXTENSION (1d) and trim to a height of **dimension A**. Secure into place with SCREW (1e)
- Trim ALLTHREAD (1c) to **dimension B**, then tighten into place
- Place HANDLE (3a) on DIVERTER (1) to confirm proper alignment. Rotate & retighten DIVERTER (1) if necessary



2A INSTALLING ESCUTCHEON

- Place BASE RING (2c) and ESCUTCHEON (2b) onto DIVERTER (1) and secure to tub/deck surface with LOCK NUT (2a)

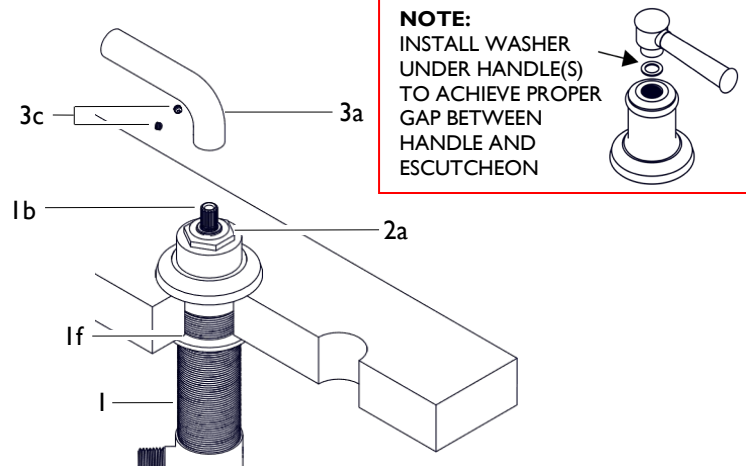
NOTE: Escutcheon assembly may vary in complexity depending on series. Escutcheon may not require LOCK NUT.



3A INSTALLING HANDLE

- Loosen SETSCREWS (3c) from HANDLE (3a). Some handle types may only have one SETSCREW
- Slide HANDLE (3a) down to engage valve STEM (1b). Leave a 1/32" [0.8mm] gap between HANDLE (3a) and ESCUTCHEON (2b)
- Secure HANDLE (3a) with SETSCREWS (3c), then rotate HANDLE to check operation. Open position is when HANDLE is rotated forward

IMPORTANT: For correct handle alignment, it may be necessary to loosen LOCK NUT (2a) and FLANGE NUT (1f), and then rotate DIVERTER (1) so that HANDLE (3a) is properly oriented.



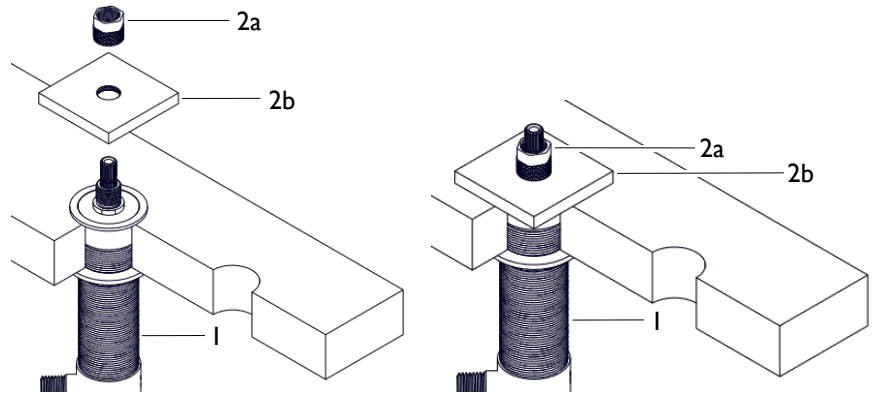
2B INSTALLING ESCUTCHEON

- Place ESCUTCHEON (2b) onto DIVERTER (1) and secure to tub/deck surface with LOCK NUT (2a)

NOTE: Escutcheon assembly may vary in complexity depending on series. Escutcheon may not require LOCK NUT.

- Use a ruler or straight edge to align ESCUTCHEON (2b) to Roman Tub Trim, then tighten LOCK NUT (2a)

NOTE: Return to Section I if diverter is not aligned properly.



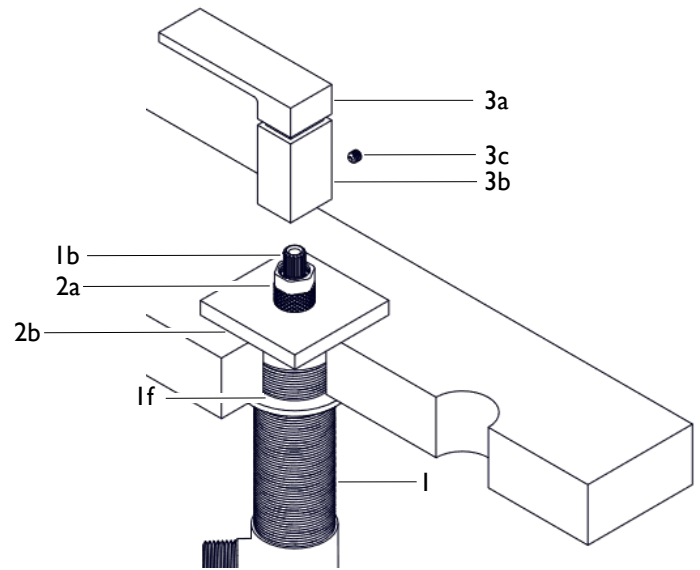
3B INSTALLING HANDLE

- Loosen SETSCREW (3c) from handle POST (3b)

NOTE: HANDLE (3a) may require aligning with POST (3b) to achieve desired orientation.

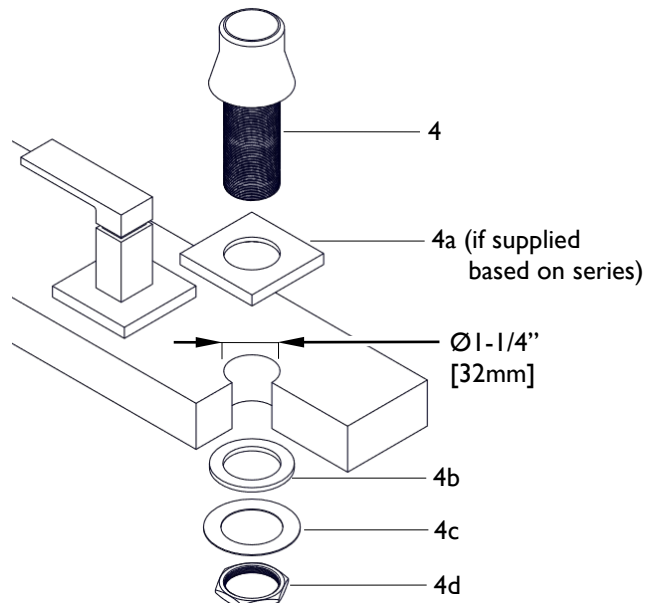
- Slide HANDLE (3a) and POST (3b) down to engage valve STEM (1b)
- Handle POST (3b) shall completely cover LOCK NUT (2a) and seat against ESCUTCHEON (2b).
- Secure handle POST (3b) with SETSCREW (3c), then rotate HANDLE (3a) to check operation. Open position is when HANDLE is rotated forward

IMPORTANT: To obtain correct handle alignment, it may be necessary to loosen LOCK NUT (2a) and FLANGE NUT (1f), and then rotate DIVERTER (1) so that HANDLE (3a) is properly oriented.



4 INSTALLING HANDSHOWER HOLDER

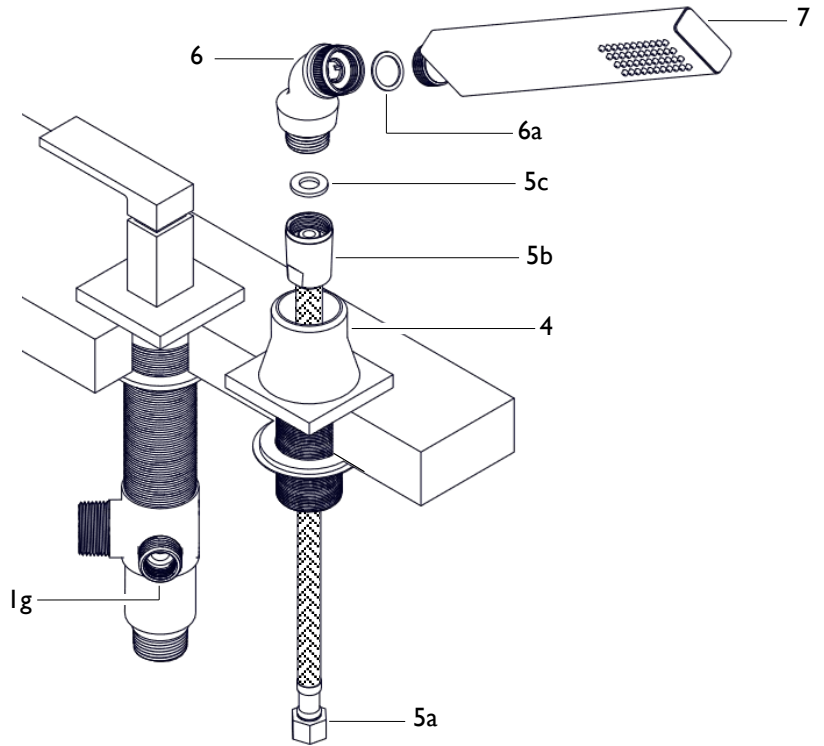
- Tub/Deck recommended hole size shall be $\text{Ø}1\text{-}1/4\text{'}$ [32mm]
- Place HOLDER (4) down through ESCUTCHEON (4a) (if supplied) and tub/deck hole
- From underside slide RUBBER WASHER (4b) and STEEL WASHER (4c) onto HOLDER (4)
- Secure HOLDER (4) in place with NUT (4d)



5

INSTALLING HANDSHOWER

- Slide HEX END (5a) of hose down through HOLDER (4)
- Insert RUBBER WASHER (5c) into CONICAL END (5b) of hose and tighten onto ELBOW (6)
- Insert FIBER WASHER (6a) into swivel nut of ELBOW (6) and tighten HANDSHOWER (7) to ELBOW (6)
- Attach HEX END (5a) of hose to 1/2" DIVERTER OUTPUT (1g)



6

INSTALLING SUPPLY LINES

- Must use rigid copper piping (not flex) for all connections between spout and valves
- California Faucets recommends that all installation types have access panel(s) to allow for maintenance and/or service

Disclaimer: To conform to many local codes and/or ordinances, it may be required that California Faucets Roman Tub with Handshower sets be installed in conjunction with an ASSE 1070 approved tempering valve to reduce the hot water supply to a safe temperature.

Important: The **INSTALLER** is responsible to check local codes and/or ordinances, to confirm and verify proper maximum hot water temperature settings for all products installed

Warning: Water temperatures in excess 110°F (43°C) are dangerous and may cause severe scalding and injury

