

Features

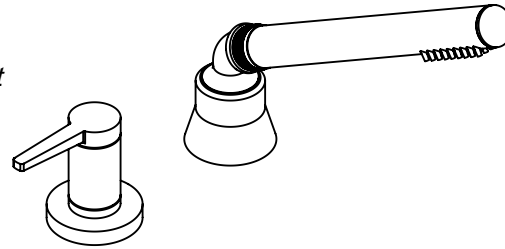
- Available in 28 finishes including 13 PVD finishes
- All brass construction
- Handshower: 1/2" MIP inlet with self-clean rubber jets
- Max flow rate: 2.0 gpm (7.6 L/min) or 1.8 gpm (6.8L/min)
- Handshower elbow: 1/2" FIP swivel nut with 1/2" MIP inlet
- Hose: 84" black poly braided hose. Provides durable & quiet operation while not damaging trim finish
- Diverter valve (DDV-R) sold separately

TO-53.62.20
 TO-53.62.18
 TO-53F.62.20
 TO-53F.62.18
 TO-53K.62.20
 TO-53K.62.18

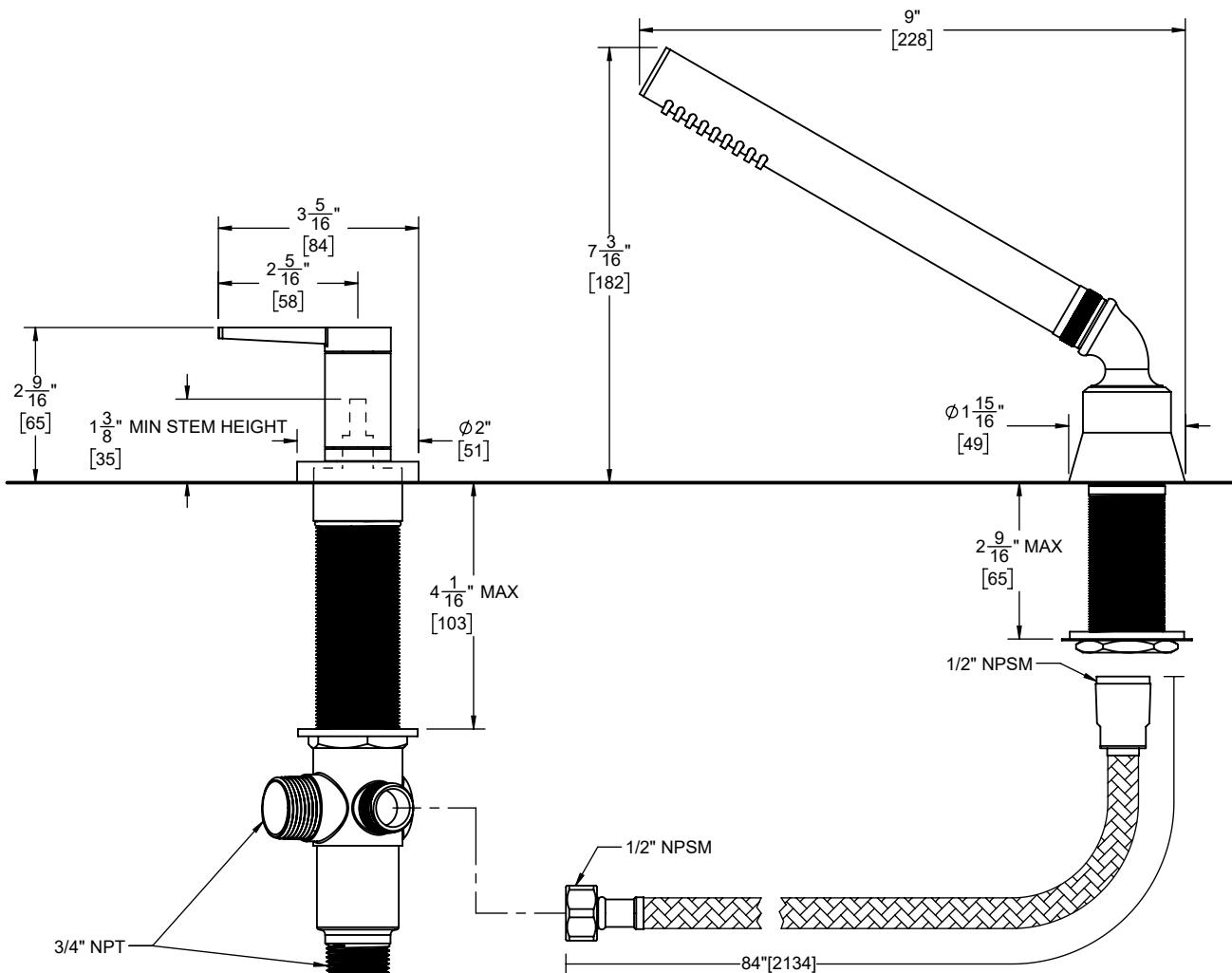
Codes/Standards Applicable

Product meets or exceeds the following:

- ASME A112.18.1/CSA B125.1
- CEC (1.8 gpm) / DOE (1.8 & 2.0 gpm)
- Commonwealth of MA
- ADA compliant
- EPA WaterSense handshower (2.0 gpm)



TO-53.62.FR-ZZ SHOWN



THROUGH-HOLE SPECIFICATIONS			
	MIN	RECOMMENDED	MAX
SHOWER:	Ø 1-1/4" [32]	Ø 1-1/4" [32]	Ø 1-13/16" [46]
VALVE:	Ø 1-7/16" [37]	Ø 1-1/2" [38]	Ø 1-3/4" [44]

DIMENSIONS SHOWN TO NEAREST 1/16"
 [DIMENSIONS SHOWN TO NEAREST 1MM]