



California Faucets®

# Showerhead

SH-1019R.FR & SH.1509C.FR

## Quick Connect Showerhead Installation Instructions

**CALIFORNIA FAUCETS RECOMMENDS THAT ALL PLUMBING PRODUCTS BE INSTALLED BY A LICENSED PROFESSIONAL**

**IMPORTANT: Read all instructions prior to installation and provide copy of instructions to consumer.**

### Operating Specifications:

Recommended Supply Pressure: 20 to 70 psi\*†

† If water pressure exceeds 70 psi, install a Pressure-Reducing Valve (PRV)

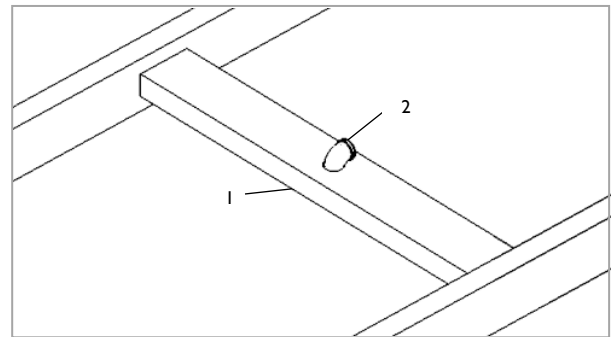
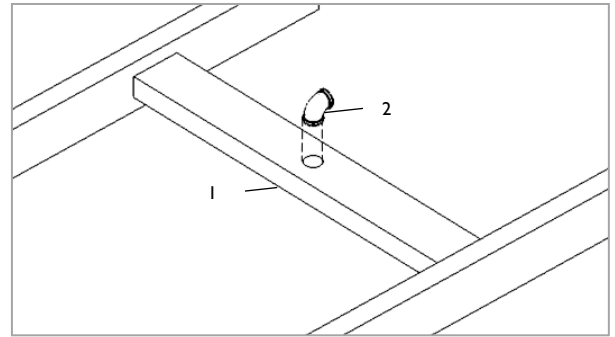
## 1 PREPARING CEILING

**IMPORTANT:** It is the **RESPONSIBILITY** of the **INSTALLER** to provide proper cross BRACE (1) to provide adequate support for the SHOWERHEAD (8)

- Securely mount a suitable cross BRACE (1) onto two ceiling joists to provide proper support for SHOWERHEAD (8)

**IMPORTANT:** The diameter of the hole shall be appropriately sized to allow lip of 90° ELBOW (2) to pass through hole

- Drill hole through middle of cross BRACE (1)

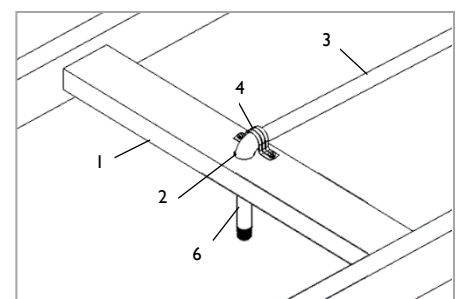
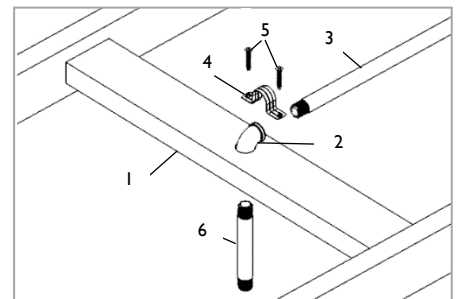
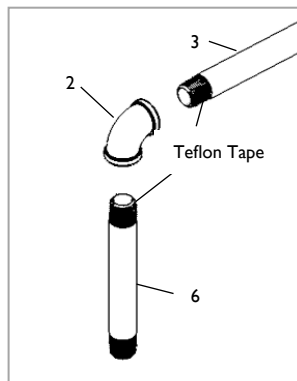


## 2 PLUMBING

**NOTE:** 90° ELBOW (2) & PIPE (3) & NIPPLE (6) not supplied. For Teflon Tape use no more than 3 wraps.

Mount 90° ELBOW (2) to PIPE (3) using Teflon Tape

- Insert 90° ELBOW (2) with PIPE (3) attached into hole in cross BRACE (1) and secure PIPE (3) with BRACKET (4) using SCREWS (5)
- Secure NIPPLE (6) (purchased separately) into 90° ELBOW (2) using Teflon Tape



### 3 INSTALLING

**IMPORTANT:** Ensure that the MESH WASHER (7) seals the SHOWERHEAD (8) and NIPPLE (6). Do not seal with Teflon tape.

- Tighten SHOWERHEAD (8) onto NIPPLE (6) and secure with SETSCREW (9)

