

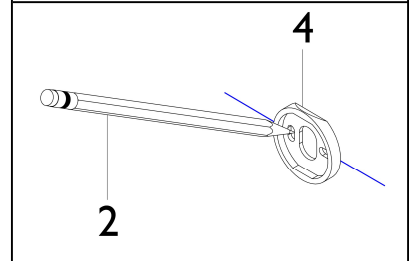
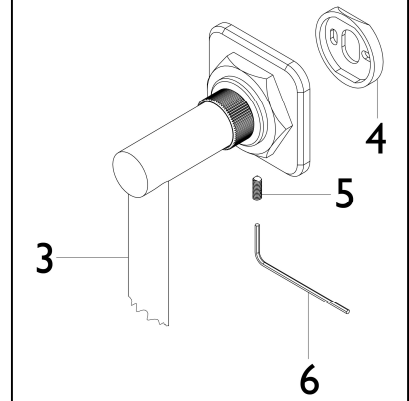
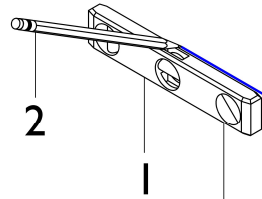
## Handshower Slide Bar Installation Instructions

**CALIFORNIA FAUCETS RECOMMENDS THAT ALL PLUMBING PRODUCTS BE INSTALLED BY A LICENSED PROFESSIONAL**

**IMPORTANT:** Read all instructions prior to installation and provide copy of instructions to consumer.

### 1 PRIOR TO MOUNTING

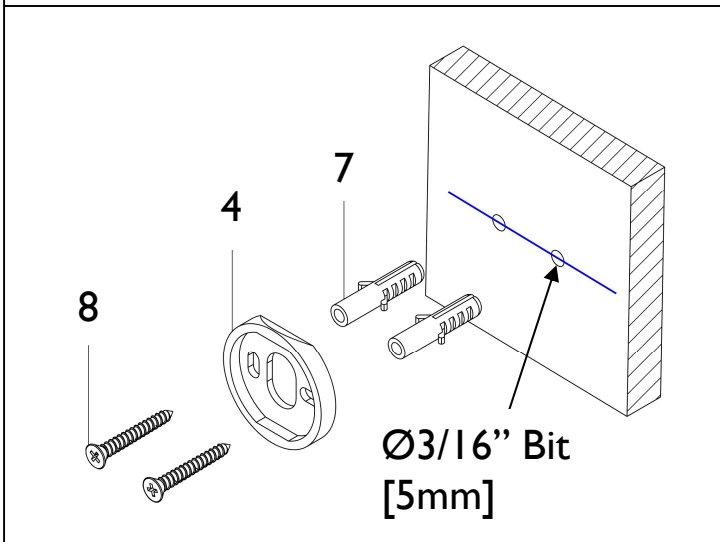
- Use LEVEL (1) and PENCIL (2) to mark two horizontal lines 21-7/8" [556mm] top and bottom from each other on finished wall as shown.
- Use KEY (6) and loosen SETSCREW (5) to remove MOUNT (4) from BAR (3)
- Align the two holes from the MOUNT (4) onto the marked horizontal lines.
- Mark the hole locations from the MOUNT and drill the holes using 3/16" [5mm] bit.
- Use LEVEL (1) and repeat for bottom MOUNT location, ensuring MOUNTS are directly vertical from each other.



21-7/8"  
[556mm]

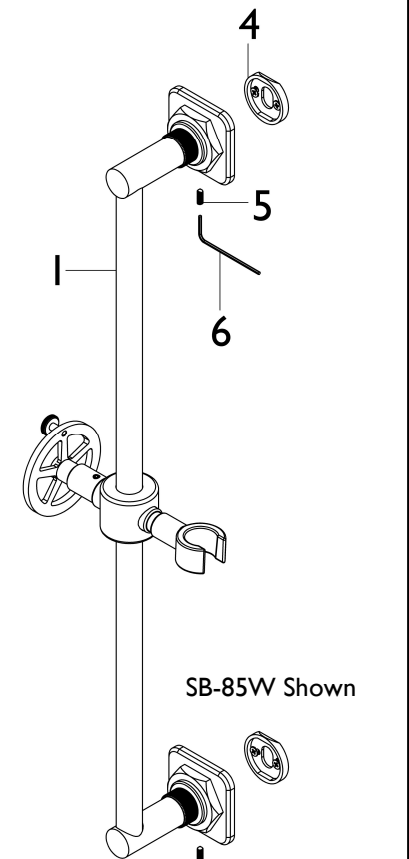
### 2 MOUNTING TO FINISHED WALL

- Install ANCHOR (7) into drilled holes and place MOUNT (4) on wall
- Secure MOUNT in place with supplied SCREWS (8)



### 3 ATTACHING BAR TO MOUNT

- Place BAR (1) onto top & bottom MOUNTS (4)
- Secure BAR (1) in place and tighten SETSCREWS (5) using hex KEY (6)



## 4

## HOLDER OPERATION

**Note:** If hook does not fully retract, rotate hook a small amount to allow hook to fully seat

- To adjust hook angle, pull hook away from the body
- Rotate hook forward or backward to desired position
- Release hook to lock into position

