

In-Wall Vessel Lavatory Faucet / Tub Spout Installation Instructions

CALIFORNIA FAUCETS RECOMMENDS THAT ALL PLUMBING PRODUCTS BE INSTALLED BY A LICENSED PROFESSIONAL

IMPORTANT: Read all instructions prior to installation and provide copy of instructions to consumer.

Operating Specifications:

Recommended Supply Pressure: 20 to 70 psi*†

Maximum Flow Rate: 1.2 gpm for Lavatory Vessel, 10 gpm for Tub Spout

* Operating pressures between hot and cold supplies should vary no more than 30 psi.

† If water pressure exceeds 70 psi, install a Pressure-Reducing Valve (PRV).

I

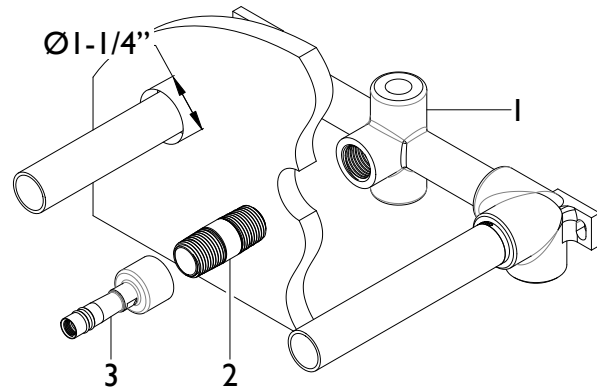
INSTALLING SPOUT

- Prior to installing faucet trim in-wall vessel rough VALVE (1), must be properly installed and wall surface must be completely finished

NOTE: Recommended through-hole size shall be $\varnothing 1-1/4"$

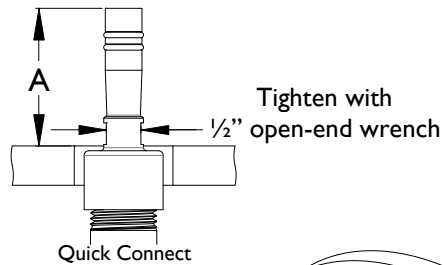
- Apply thread sealant to both threaded ends of NIPPLE (2), not supplied, and tighten into center outlet of VALVE (1)
- Tighten QUICK CONNECT (3) onto end of NIPPLE (2) using $1/2"$ open-end wrench
- Confirm QUICK CONNECT (3) is protruding from finished wall the correct amount with table given

NOTE: Spout installation shown with lavatory vessel valve, Tub Spout installation is the same



WARNING: Dimension "A" must be met to prevent water damage

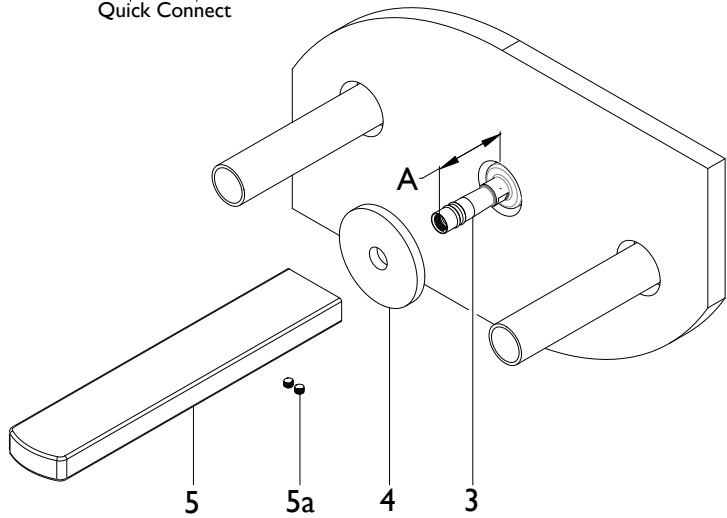
Model	MIN "A"	MAX "A"
CF-TO-VE402-7	1-9/16"	1-3/4"
TS-E4-E4	1-9/16"	1-3/4"
D-E4-E4	1-9/16"	1-3/4"
CF-TO-VE502-7	1-9/16"	1-3/4"
TS-E5-E5	1-9/16"	1-3/4"



- Slide SPOUT ESCUTCHEON (4) onto QUICK CONNECT (3)

IMPORTANT: To prevent damage to internal o-ring on SPOUT (5), QUICK CONNECT (3) **MUST** be free of any dirt and/or debris

- Slide SPOUT (5) onto QUICK CONNECT (3) and tighten both SETSCREW (5a) on bottom side of SPOUT (5)

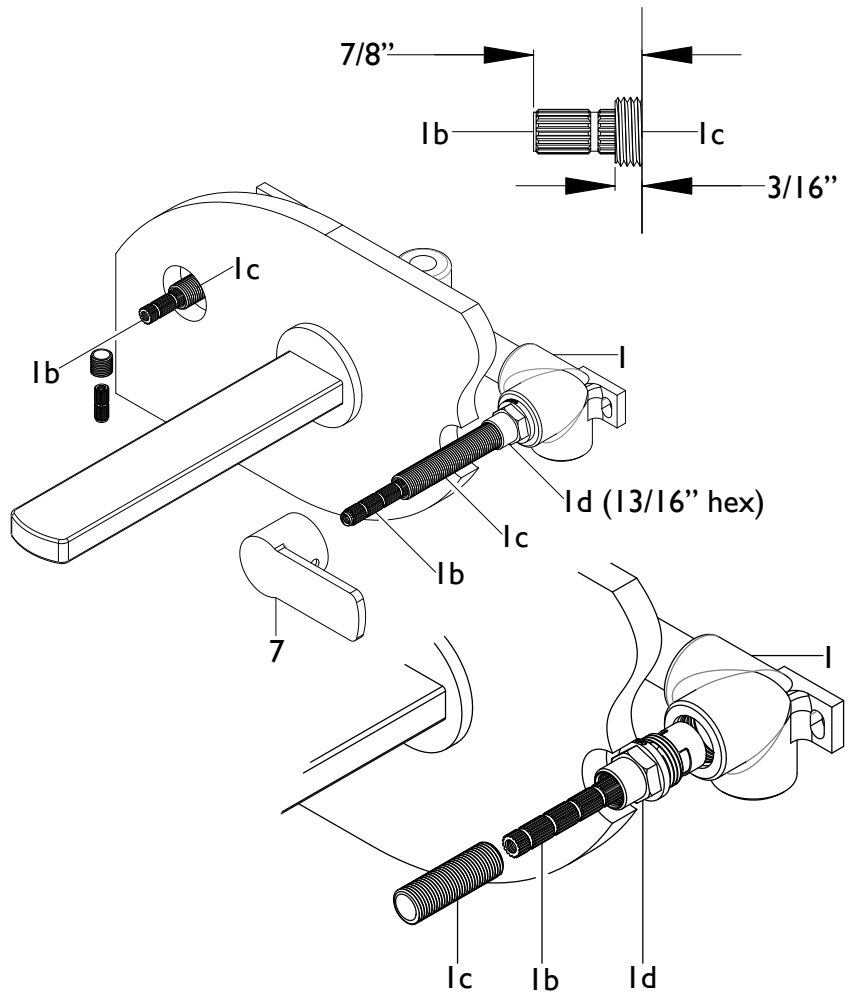


2 ALIGN & TRIM VALVE STEM

- Remove mudguards from VALVE (1)
- To obtain proper HANDLE (7) alignment it may be necessary to re-align cartridge STEM (1b); to align STEM (1b), slightly loosen the cartridge NUT (1d), place HANDLE (7) on STEM (1b) and **TIGHTEN** in CW direction until desired alignment is achieved; retighten cartridge NUT (1d) to factory torque setting of 14 ft-lbs.

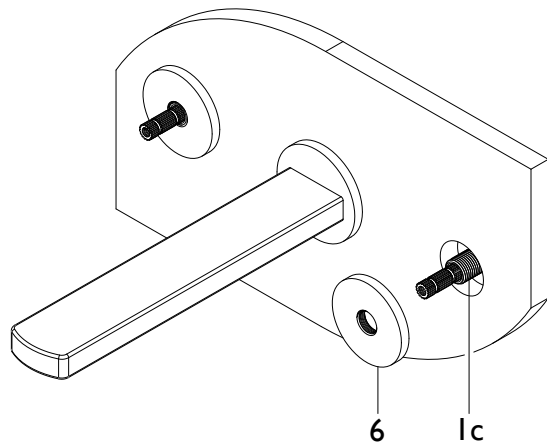
WARNING: Cartridge NUT (1d) **MUST** be properly torqued to prevent possible failure and/or water damage

- Using a marker indicate a distance of 3/16" from finished wall on ALL-THREAD (1c)
- Unscrew ALL-THREAD (1c) from valve STEM (1b)
- Cut STEM (1b) 7/8" from finished wall surface
- Cut off excess ALL-THREAD (1c) at indicated mark and reattach ALL-THREAD (1c) onto valve STEM (1b) – repeat on other side



3 INSTALLING ESCUTCHEON

- Tighten handle ESCUTCHEON (6) onto ALL-THREAD (1c)



4 INSTALLING HANDLE

- Loosen SETSCREW (7a)
- Slide HANDLE (7) down onto and engage valve STEM (1b) leaving a space of 1/32" between handle and handle ESCUTCHEON (6)
- Tighten SETSCREW (7a)
- Turn on water supply and check for leaks

