



California Faucets®

# Deluxe Angle Stops

CF-9000-XX, CF-9001-XX, & CF-9004-XX

## Deluxe Angle Stop with Flange and Decorative Handle Installation Instructions

**CALIFORNIA FAUCETS RECOMMENDS THAT ALL PLUMBING PRODUCTS BE INSTALLED BY A LICENSED PROFESSIONAL**

**IMPORTANT: Read all instructions prior to installation and provide copy of instructions to consumer.**

### Operating Specifications:

Recommended Supply Pressure: 20 to 70 psi\*†

† If water pressure exceeds 70 psi, install a Pressure-Reducing Valve (PRV).

### Precautions:

- For use with water in accessible locations only
- Do not sweat within 12 inches
- Angle stop is used in full open or full close position
- Outlet must be capped if stop is being used as a termination point
- Not for use with PEX

### General Instructions:

- **IMPORTANT:** California Faucets angle stops are available in 2 configurations. Select the inlet and outlet instructions that apply to the product purchased.
- Be sure stub out and riser shall be square, round and free of burrs.
- **WARNING:** Overtightening can cause product to crack and fail over time. See more detailed instructions below:

### COMPRESSION INLET – CF-9001

**IMPORTANT:** For use with L or M copper only.

- Ø5/8" OD copper TUBE (1) stub out 1-1/4" to 1-5/8"
- Slide inlet compression NUT (2) and SLEEVE (3) onto end of copper TUBE (1)
- Place FLANGE (4) onto VALVE (5) passed flats
- Slide VALVE (5) onto COPPER TUBE (1)
- Hand tighten inlet compression NUT (2) onto VALVE (5)

**NOTE:** A drop of general-purpose oil will make tightening easier


**WARNING:** DO NOT USE putty, gasket material, or thread seal tape

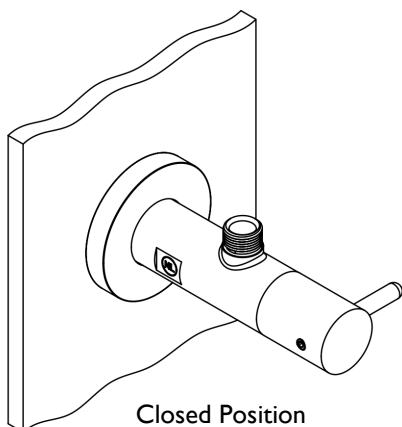
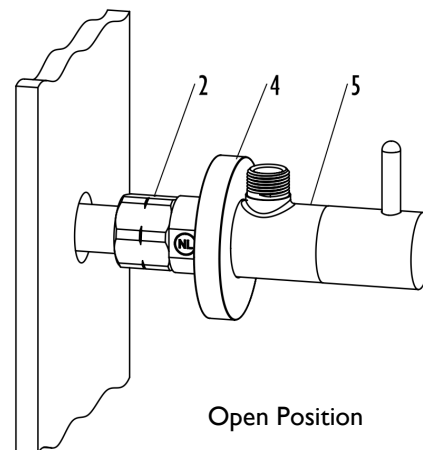
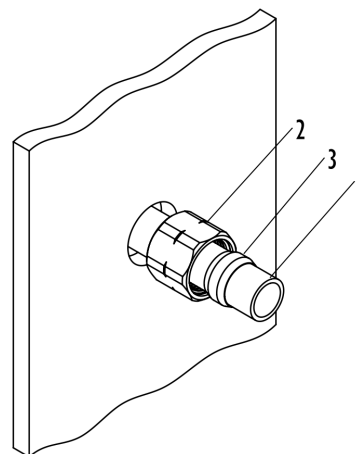
- Use wrench or strap wrench to hold VALVE (5)
- Use wrench to tighten inlet compression NUT (2) by another 1/2 turn

**NOTE:** Make sure the VALVE (5) remains seated & square to COPPER TUBE (1)

**WARNING:** Over tightening can cause VALVE (5) to fail over time

### TEST FOR LEAKS:

- Turn handle clockwise  to close VALVE (5)
- Inspect VALVE (5) for leaks while a helper turns on water supply



## **FEMALE IRON PIPE (FIP INLET) – CF-9000 & CF-9004**

- Select appropriate length 1/2" NPT NIPPLE (1), stub out 3/16" to 9/16"
- Apply thread sealant or plumber's tape (no more than 3 wraps) to male threads of NIPPLE (1)

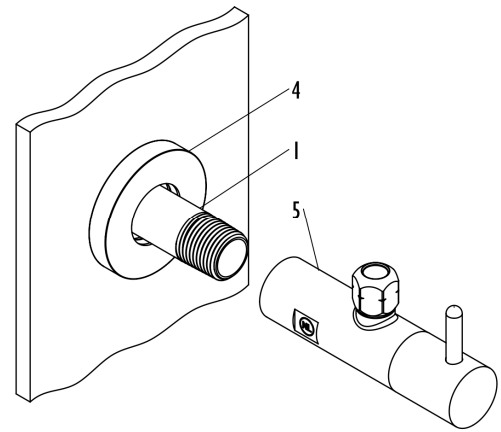
**WARNING:** Excess thread sealer can cause the joint to fail

**WARNING:** DO NOT USE putty or gasket material

- Slide FLANGE (4) onto NIPPLE (1)
- Hand tighten VALVE (5) onto NIPPLE (1)
- Use wrench or strap wrench to tighten VALVE (5) onto NIPPLE (1) and align outlet to desired position

### **TEST FOR LEAKS:**

- Turn handle clockwise ☺ to close VALVE (5).
- Inspect VALVE (5) for leaks while a helper turns on water supply



## **COMPRESSION OUTLET**

**IMPORTANT:** Shut off water before starting.

- Cut riser TUBE (6) to length so that it bottoms out in VALVE (5)
- Slide outlet compression NUT (8) & SLEEVE (7) onto riser TUBE (6)
- Hand tighten outlet compression NUT (8)

**NOTE:** A drop of general-purpose oil will make tightening easier

**WARNING:** DO NOT USE putty, gasket material, or thread seal tape

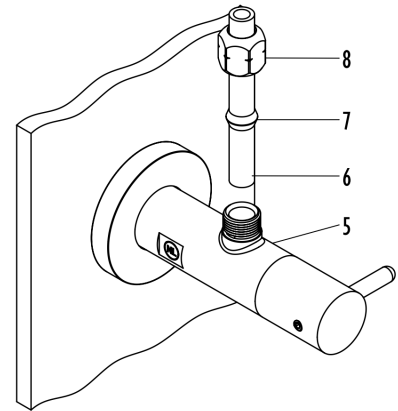
- Use wrench or strap wrench to tighten NUT (8) by 3/4 turn more

**NOTE:** Riser must be seated and square to VALVE (5) for a good connection

- Refer to faucet or toilet instructions to install other end of RISER (6)

### **TEST FOR LEAKS:**

- Turn handle counterclockwise ☹ to open VALVE (5)
- Inspect connections for leaks



## **FLEXIBLE NUT X NUT CONNECTOR**

**IMPORTANT:** Shut off water before starting

- Outlet takes a 3/8" compression (9/16" – 24 thread) nut
- Hand tighten one end of flexible CONNECTOR (9) onto outlet THREADS (5a)
- Secure per CONNECTOR (9) instructions
- Refer to faucet or toilet instructions to install other end of flexible CONNECTOR (9)

### **TEST FOR LEAKS:**

- Turn handle counterclockwise ☹ to open VALVE (5)
- Inspect connections for leaks

