



Tel: 714-891-7797
 Fax: 714-891-2478
 Toll Free: 800-822-8855
 www.calfaucets.com

MINI WIDESPREAD FAUCETS

**INSTALLATION
INSTRUCTIONS**

California Faucets®

IMPORTANT

All California Faucets® products are engineered to provide quality performance provided they are installed and operated properly. To fully enjoy the comfort, safety, and reliability of your new Mini Widespread faucet, please follow the instructions below.

California Faucets reserves the right to make modification and specification changes at any time. Please visit www.calfaucets.com for most current technical data.

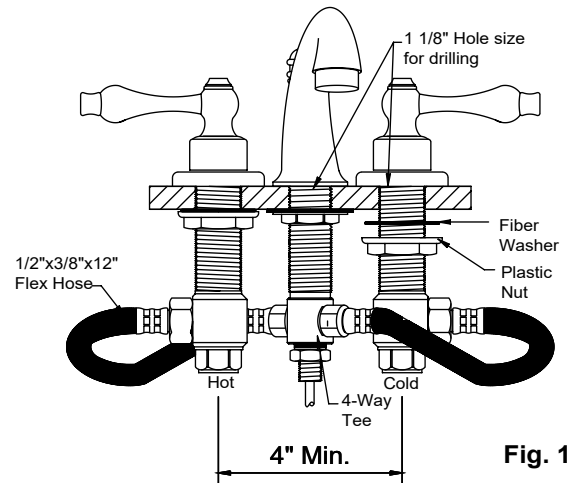


Fig. 1

*****NOTE: SHUT OFF WATER SUPPLY BEFORE BEGINNING INSTALLATION*****

1 Install spout :

- Remove the Tee, Flange Nut and Stainless Steel Washer.
- Insert the spout through center hole of the sink or countertop.
- Place Washer and Flange Nut onto Shank from below. Align spout and tighten Flange Nut until Spout is firmly in place.
- With O-Ring in place on end of Shank, slide Tee onto Shank.
- Place the Rubber Washer, Brass Washer and Nut onto Nipple and tighten.

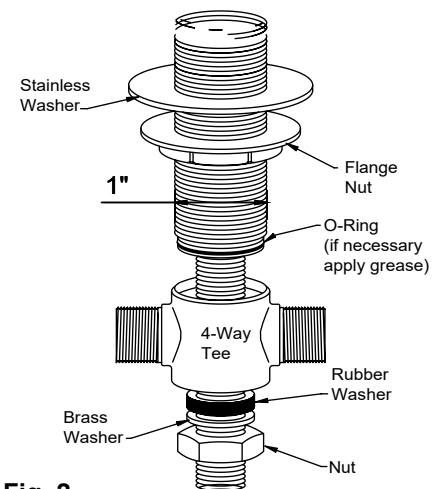


Fig. 2

NOTE: Due to sediment in the water it may be necessary on occasion to remove the aerator and clean the screen with a soft bristle toothbrush.

2

Install valve bodies:

NOTE: Hot & cold valves are labeled: *cold=blue & hot=red.*

- Remove top nut and turn bottom nut with fiber washer down the valve until it stops.
- Insert valve through hole from below and install escutcheon and adjust to proper height (See Fig. 4).
- Tighten the bottom nut to secure the valve.
- Install handle and tighten handle set screws with Allen key provided.

REMINDER: Please retain allen key as handles may require re-tightening with normal use.

- Attach flex lines to valve and spout tee. Hand-tighten. Then go 1/4 to 1/2 turn more with wrench (not supplied). Do not overtighten.

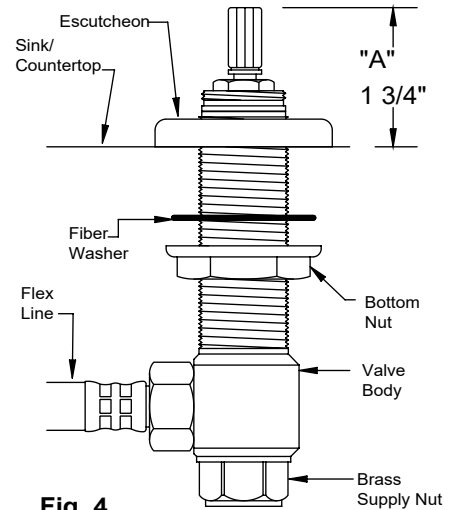


Fig. 4

3

Install LIFT ROD STYLE pop-up assembly.

- Remove COLLAR (11) from pop-up assembly and apply silicone CAULK (12) (or equivalent) to underside of COLLAR (11)

CAUTION: Do not use or any oil base sealant that may damage finish

- Insert drain BODY (17) from underside through sink drain HOLE (13) & attach to COLLAR (11)

- Align BALL ROD HOLE (17a) toward rear of sink and firmly tighten FLANGE NUT (16) against FRICTION WASHER (15), MACK WASHER (14) and sink drain HOLE (13)

- Remove TAILPIECE (18) from drain BODY (17), apply thread SEALANT (19) to TAILPIECE (18) threads and tighten into drain BODY (17)

- Insert STOPPER (20) into COLLAR (11) & rotate off-set HOOK (20a) to front of sink to accept BALL ROD (21)

- Remove spring CLIP (24a) from BALL ROD (21)

- Place CONE WASHERS (23) on both sides of ball rod BALL (21a) with NUT (22) to backside

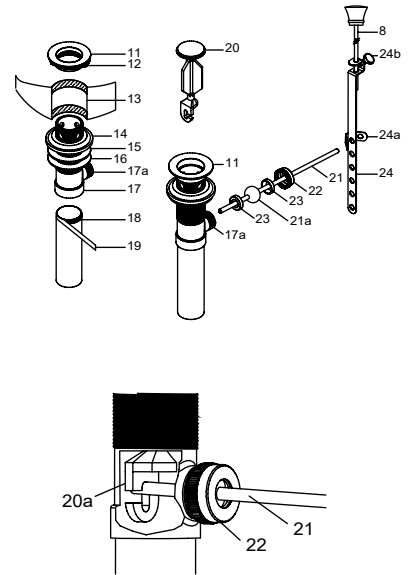
- Insert BALL ROD (21) into body BALL ROD HOLE (17a) and through off-set HOOK (20a)

- Tighten NUT (22), but allow BALL ROD (21) to freely move up & down

- Place STRAP (24) onto LIFT ROD (8) and tighten THUMB-SCREW (24b)

- Place one end of CLIP (24) onto BALL ROD (21), then STRAP (24), gently squeeze CLIP (24a) and slide other end of CLIP (24a) onto BALL ROD (21)

- Check proper operation of STOPPER (20) and adjust by sliding STRAP (24) on LIFT ROD (8) as necessary



4

Connect faucet to water supply:

IMPORTANT: Flush supply lines of all debris prior to connecting to lavatory valve bodies. Debris remaining in the line will damage valve bodies and cause leaking. Failure to flush the lines could result in voiding the warranty.

- Connect supply risers from the angle stops.

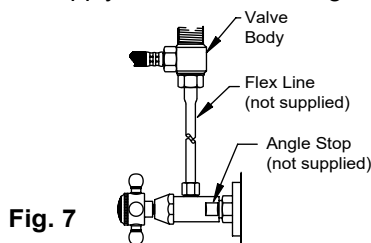


Fig. 7

6

Install "P" trap:

- Connect your waste "P" trap to the drain tailpiece.

NOTE:
P-trap, angle stops, and supply risers are not supplied. We recommend genuine Cal-Trim parts available at your authorized California Faucets dealer.

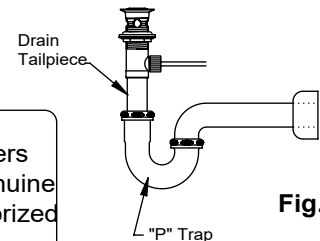


Fig. 8

IMPORTANT CLEANING NOTICE

Please refer to *Finish Care Instructions* for complete cleaning information. Wipe frequently with a soft, damp cloth. **Never use acids, harsh abrasives or detergents.**