

## Single Handle Lavatory Wall Faucet Trim Only Installation Instructions

CALIFORNIA FAUCETS RECOMMENDS THAT ALL PLUMBING PRODUCTS BE INSTALLED BY A LICENSED PROFESSIONAL

**IMPORTANT:** Read all instructions prior to installation and provide copy of instructions to consumer.

### Operating Specifications:

Recommended Supply Pressure: 20 to 70 psi [1.4 to 4.8 bar] ††

Maximum Flow Rate: 1.2 gpm [4.5 L/min]

\* Operating pressures between hot and cold supplies should vary no more than 30 psi [2.1 bar].

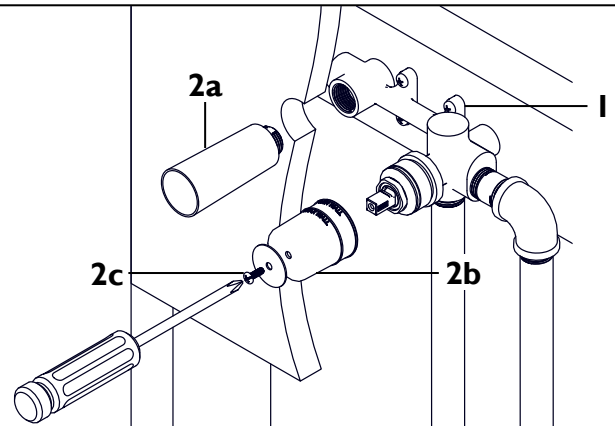
† If water pressure exceeds 70 psi [4.8 bar], install a Pressure-Reducing Valve (PRV).

## 1 REMOVING MUDGUARDS

- Prior to installing faucet trim, in-wall vessel rough VALVE (1) (SHV-R) must be properly installed, and wall surface must be completely finished

**NOTE:** Recommended spout through-hole size is  $\varnothing 1-1/4"$  [32mm], recommended handle through-hole size is  $\varnothing 1-3/4"$  [44mm]

- Remove SPOUT MUDGUARD (2a) from VALVE (1) by turning counterclockwise
- Remove HANDLE MUDGUARD (2b) from VALVE (1) by loosening mudguard SCREW (2c)



## 2 INSTALLING SPOUT

- Apply thread SEALANT (4) (not supplied) to both sides of NIPPLE (3) (not supplied) and tighten into left outlet of valve

**NOTE:** To determine length of nipple (not supplied), the spout needs to be "dry fit" (e.g., no use of thread sealant on fittings) to the valve through the finished wall. Depending on wall/valve depth, a custom length nipple may need to be fabricated.

- Tighten QUICK CONNECT (5) onto end of NIPPLE (3) using 7/16" [12mm] open-end wrench
- Confirm QUICK CONNECT (5) is protruding from finished wall the correct amount with table given

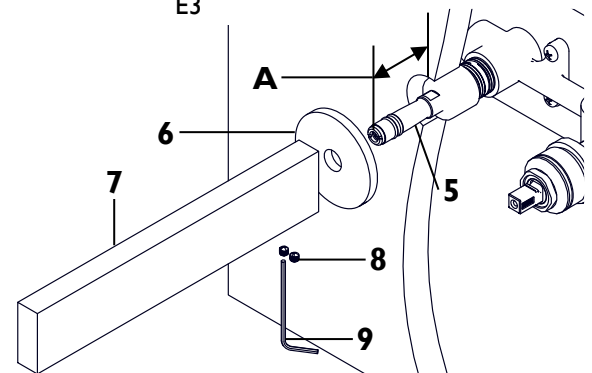
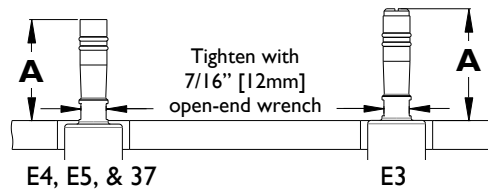
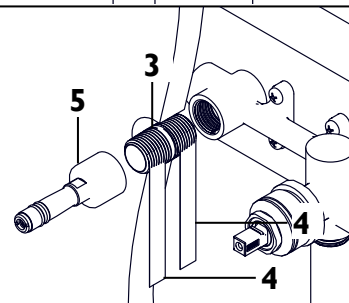
**WARNING:** Dimension "A" must be met to prevent water damage

Model	Min "A"	Max "A"
TO-VE301-7	1-11/16" [43mm]	1-7/8" [48mm]
TO-VE401-7	1-9/16" [40mm]	1-3/4" [45mm]
TO-VE501-7	1-9/16" [40mm]	1-3/4" [45mm]
TO-V3701-7	1-11/16" [43mm]	1-13/16" [46mm]

- Slide spout BASE (6) onto QUICK CONNECT (5)

**IMPORTANT:** To prevent damage to internal o-ring on SPOUT (7), QUICK CONNECT (5) **MUST** be free of any dirt and/or debris

- Slide SPOUT (7) onto QUICK CONNECT (5) and tighten SETSCREW (8) with ALLEN KEY (9)

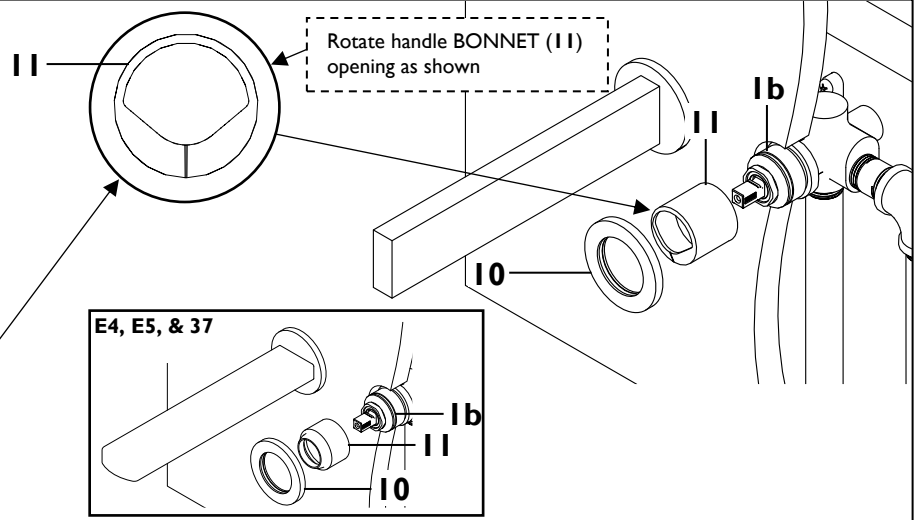


### 3 INSTALLING HANDLE BASE

- Slide handle RING (10) onto handle BONNET (11)
- Slide handle BONNET (11) onto right side of VALVE (1b) until an audible click sound is heard or felt indicating BONNET (11) is seated onto VALVE (1b)

**IMPORTANT:** Handle BONNET (11) MUST be in contact with VALVE (1b) for handle to function properly

- For E3: Confirm proper orientation of handle BONNET (11)
- Push handle RING (10) firmly against wall

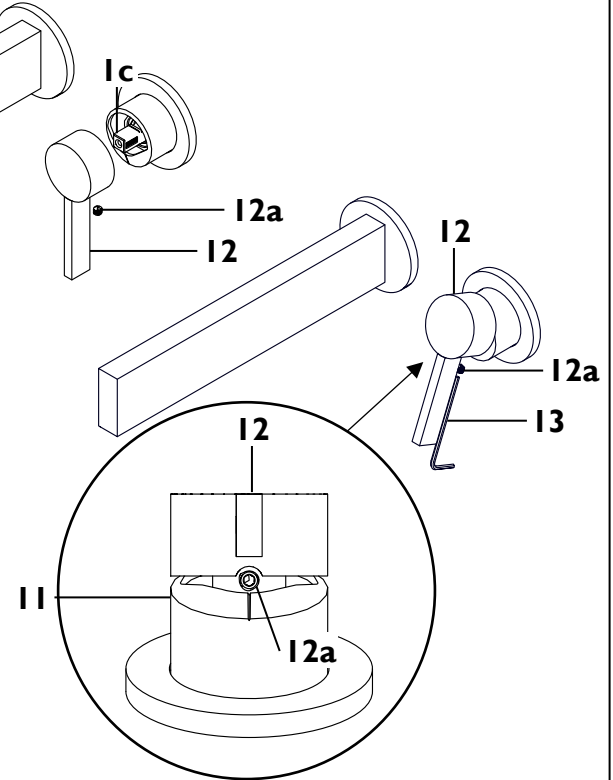
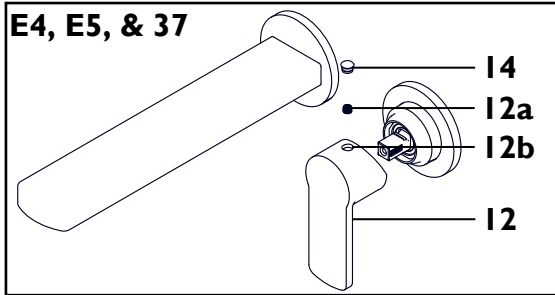


### 4 INSTALLING HANDLE

- Loosen handle SETSCREW (12a)
- Slide HANDLE (12) down onto and engage valve STEM (1c)
- For E3: Tilt HANDLE (12) upwards and tighten handle SETSCREW (12a) with ALLEN KEY (13)

**IMPORTANT:** Water supply must be off, or water will come out of the spout.

- For E4, E5, & 37: Press hole COVER (14) into setscrew HOLE (12b)



### 5 FINAL CONNECTIONS

- For E4, 37: Remove aerator HOUSING (15), WASHER (16), and AERATOR (17)
- For E5: Remove SETSCREW (18) using KEY (19), remove AERATOR (20) using KEY (21)
- For E3: Remove SPOUT (7) and aerator HOUSING (22) from QUICK CONNECT (5)
- Turn faucet HANDLE (12) to the full-on-mixed position
- Turn on hot and cold water-supplies and flush water lines for one minute

**IMPORTANT:** This step flushes away any debris that could cause damage to internal parts.

- Re-install aerator PARTS (7, & 15-22)
- Check all connections for leaks; re-tighten if necessary

