

# 94XXD- / 94XXS- Decorative Grab Bar & Grab Bar with Slide

## Installation Instructions

**CALIFORNIA FAUCETS RECOMMENDS THAT ALL PLUMBING PRODUCTS BE INSTALLED BY A LICENSED PROFESSIONAL**

**IMPORTANT: Read all instructions prior to installation and provide copy of instructions to consumer.**

9412D-65 Shown Below

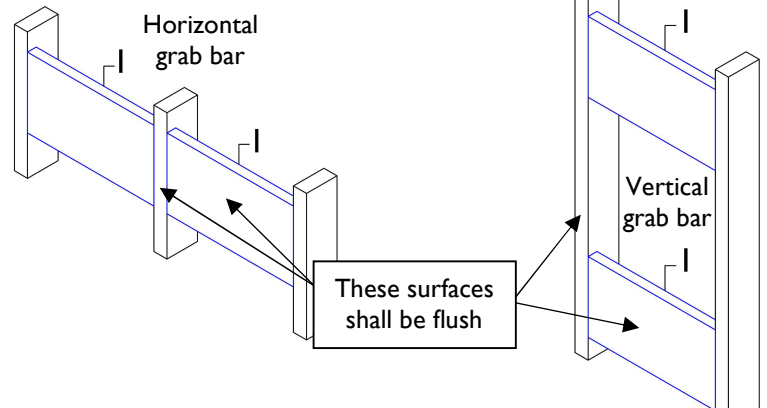
### 1 PREPARING WALL FOR GRAB BAR

**IMPORTANT:** It is the **RESPONSIBILITY** of the **INSTALLER** to provide a proper cross **BRACE (1)** to provide adequate support for the grab bar.

- Securely mount a suitable cross **BRACE (1)** with the front surface flush between studs in wall to provide proper support for grab bar

**NOTE:** Mount **BRACE (1)** depending on horizontal or vertical installation of grab bar as shown.

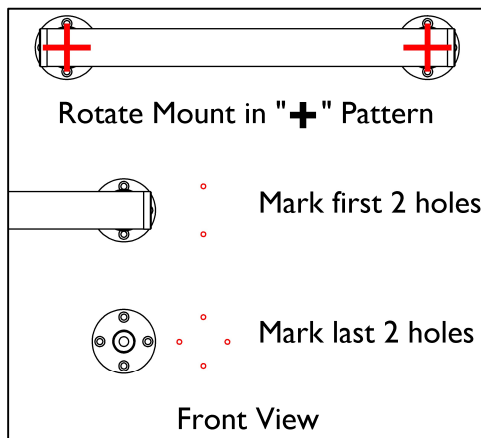
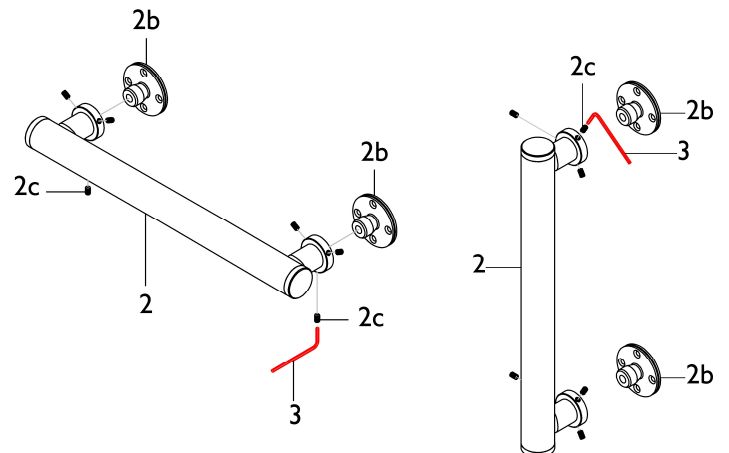
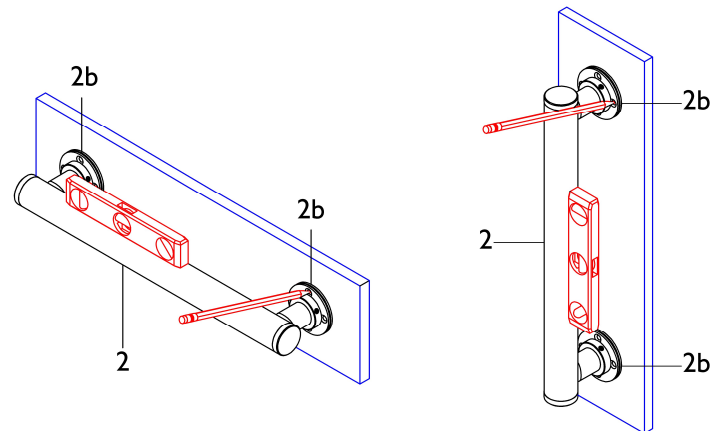
- Take note of where the **BRACE (1)** is mounted once the tile or drywall are in place



### 2 POSITIONING GRAB BAR

**IMPORTANT:** Grab **BAR (2)** must be installed on finished wall (e.g. tile or drywall).

- Wall **MOUNT (2b)** holes must be rotated in plus pattern "+" on grab **BAR (2)**
- Ensure grab **BAR (2)** is positioned over cross **BRACE (1)** or studs
- Place the grab **BAR (2)** to its desired location on the finished wall, using a level as necessary
- Mark the first 2 visible holes when viewing from the front
- Use the hex **KEY (3)** and loosen the **SETSCREW (2c)** to remove the wall **MOUNT (2b)** from the grab **BAR (2)**
- Line up the first 2 marked holes for each wall **MOUNT (2b)** and mark the last 2 holes



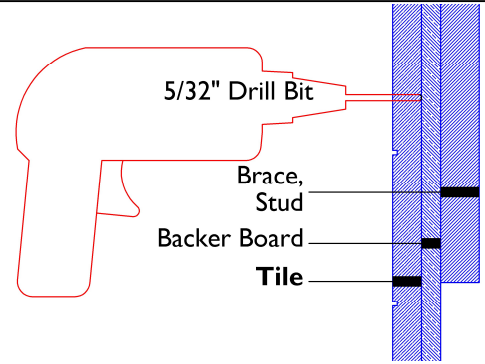
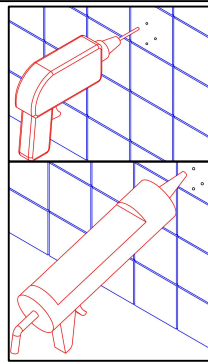
### 3 DRILLING HOLES

**NOTE:** Based on finished wall surface (e.g. tile or drywall) there are different options for attaching the wall MOUNT (2b) to the wall.

#### Tile Surface

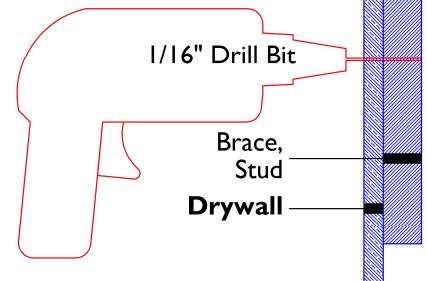
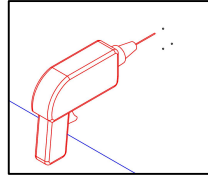
- Using 5/32" drill bit, drill through the tile and apply silicone sealant into the drilled holes

**IMPORTANT:** Only drill through the tile depth and not into the cross BRACE (1) or stud.



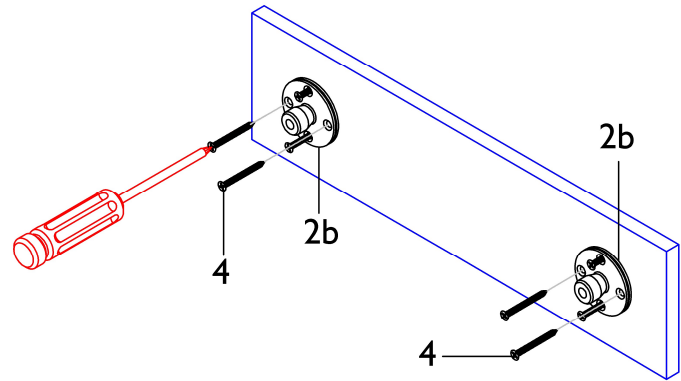
#### Drywall Surface (thickness 1/2" max)

- Using 1/16" drill bit, drill to a depth of 1 1/2" into drywall and cross BRACE (1)



### 4 INSTALLING WALL MOUNT

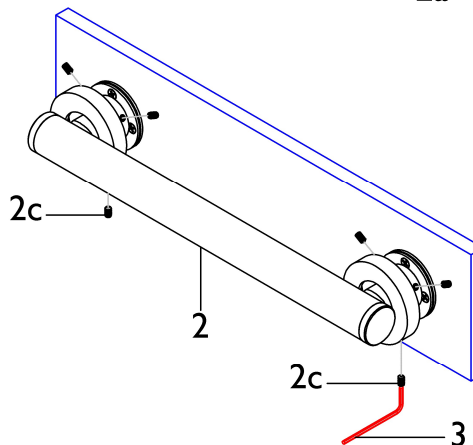
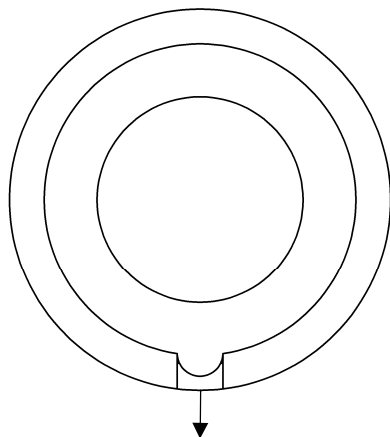
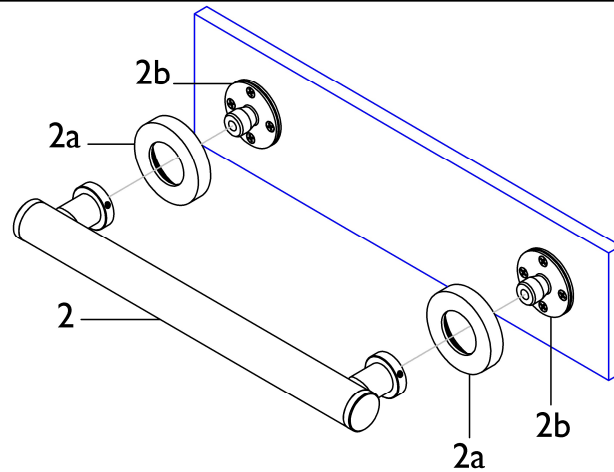
- Place and align each wall MOUNT (2b) with the drilled holes from Step 3
- Secure each wall MOUNT (2b) with the supplied #8 SCREW (4) onto the wall



### 5 GRAB BAR INSTALLATION

- Carefully slide the base RING (2a) back onto the grab BAR (2)
- Slide the grab BAR (2) onto the wall MOUNT (2b) and secure each SETSCREW (2c) with the hex KEY (3)
- Evenly press the base RING (2a) onto the wall MOUNT (2b)

**IMPORTANT:** Ensure the orientation of the slot on the back of the base ring is pointing down for either horizontal or vertical installations of grab bar.

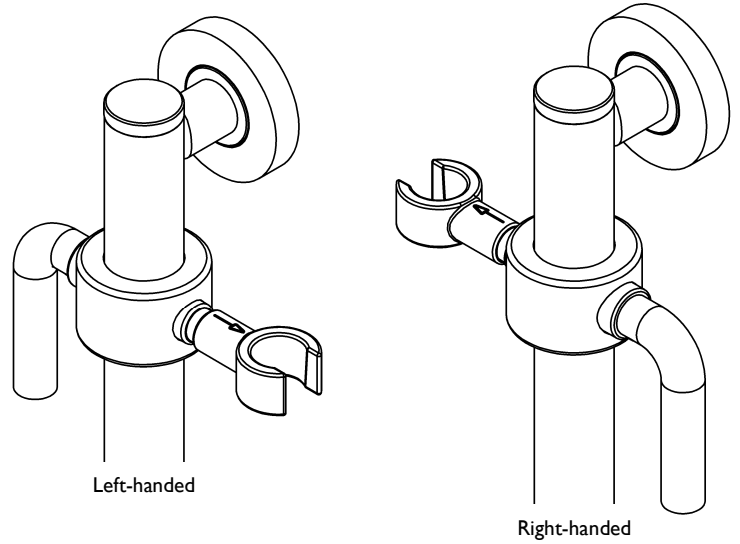
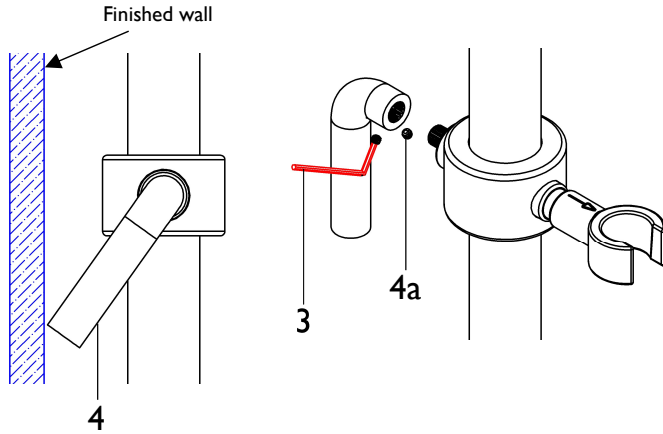


## 6

### RIGHT OR LEFT HANDED INSTALLATION

- The holder may be mounted in either a right or left handed position. This is determined at the installation stage by positioning the handle to the right or left

**NOTE:** If handle requires re-positioning due to contacting finished wall surface in locked position, use supplied hex KEY (3) to loosen SETSCREW (4a) on HANDLE (4), remove HANDLE (4) from holder and reposition to desired angle.



## 7

### HOLDER OPERATION

- To adjust HOOK (5) angle, pull hook away from the body
- Rotate HOOK (5) forward or backward to desired position
- Release HOOK (5) to lock into position

**NOTE:** If HOOK (5) does not fully retract, rotate a small amount to allow to fully seat.

