

Shower Arm 9107-XX Installation Instructions

CALIFORNIA FAUCETS RECOMMENDS THAT ALL PLUMBING PRODUCTS BE INSTALLED BY A LICENSED PROFESSIONAL

IMPORTANT: Read all instructions prior to installation and provide copy of instructions to consumer.

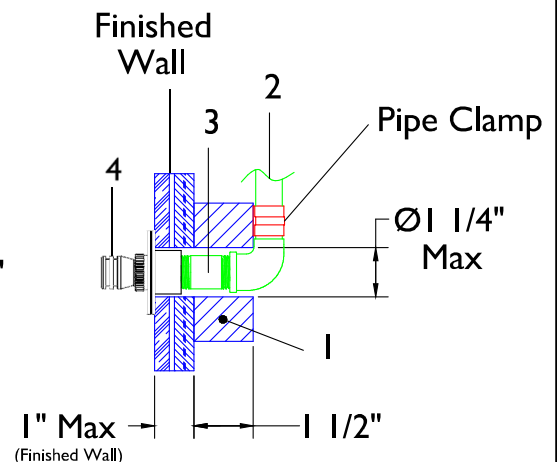
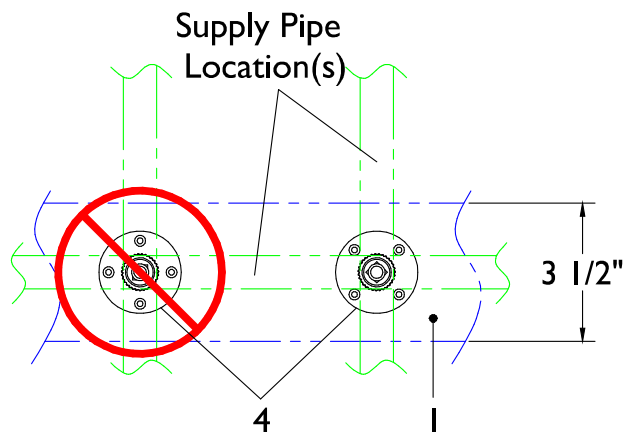
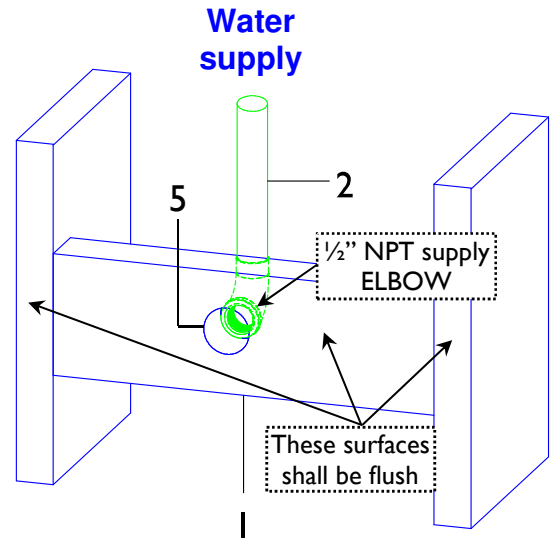
PREPARING WALL FOR ARM

Important: It is the **RESPONSIBILITY** of the **INSTALLER** to provide a proper cross **SUPPORT (1)** and securely install supply **PIPE (2)** to provide adequate support for the Shower Arm.

- Securely mount a 2x4 cross **SUPPORT (1)** with front surface flush between studs in wall to provide proper support for Shower Arm and **PIPE (2)**
- Hole **OPENING (5)** shall be Maximum $\varnothing 1-1/4"$
- **Water supply PIPE (2)** shall be installed securely to 2x4 cross **SUPPORT (1)** as follows:
 - from top or bottom in vertical plain
 - OR-
 - from left or right in horizontal plain

Warning: It is important to have ALL supply **PIPE (2)** located in either a vertical or horizontal plain to prevent possible puncture of supply **PIPE (2)** by mounting **SCREWS (1)**. This should not occur providing that a 2x4 (1-1/2" x 3-1/2") cross **SUPPORT (1)** and the supplied **SCREWS (1)** are used. However, it is the **RESPONSIBILITY** of the **INSTALLER** to ensure that all precautions are taken to prevent accidental puncturing of supply **PIPE (2)** from occurring during installation

- When installing the quick **CONNECT (4)** in Section 3, the location of supply **PIPE (2)** is very important to prevent accidental puncture (e.g. leaks) in supply **PIPE (2)**



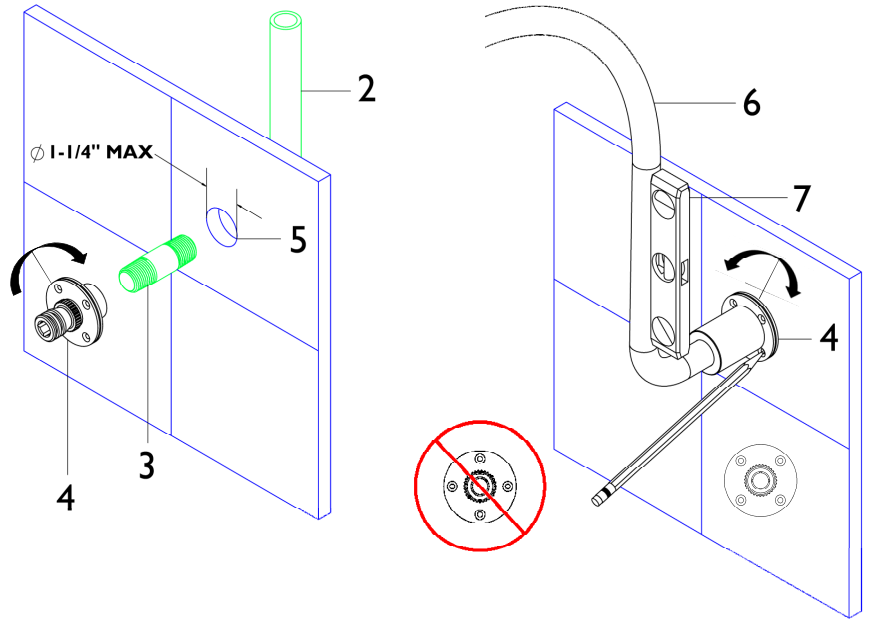
2 LEVELING SHOWER ARM

Note: Following is to be done when finished wall is completed.

- Hand tighten appropriated length 1/2" NPT NIPPLE (3) into quick CONNECT (4); insert NIPPLE (3) & quick CONNECT (4) through finished wall OPENING (5) and hand tighten only

Important: Screw holes on quick CONNECT (4) must be in "X" not "+" pattern

- Place ARM (6) onto quick CONNECT (4)
- Using LEVEL (7) on vertical tube of ARM (6); rotate ARM (6) until level (quick CONNECT (4) will rotate with shower arm)
- Use a pencil to mark positions for screw holes
- Remove ARM (6) and quick CONNECT (4)



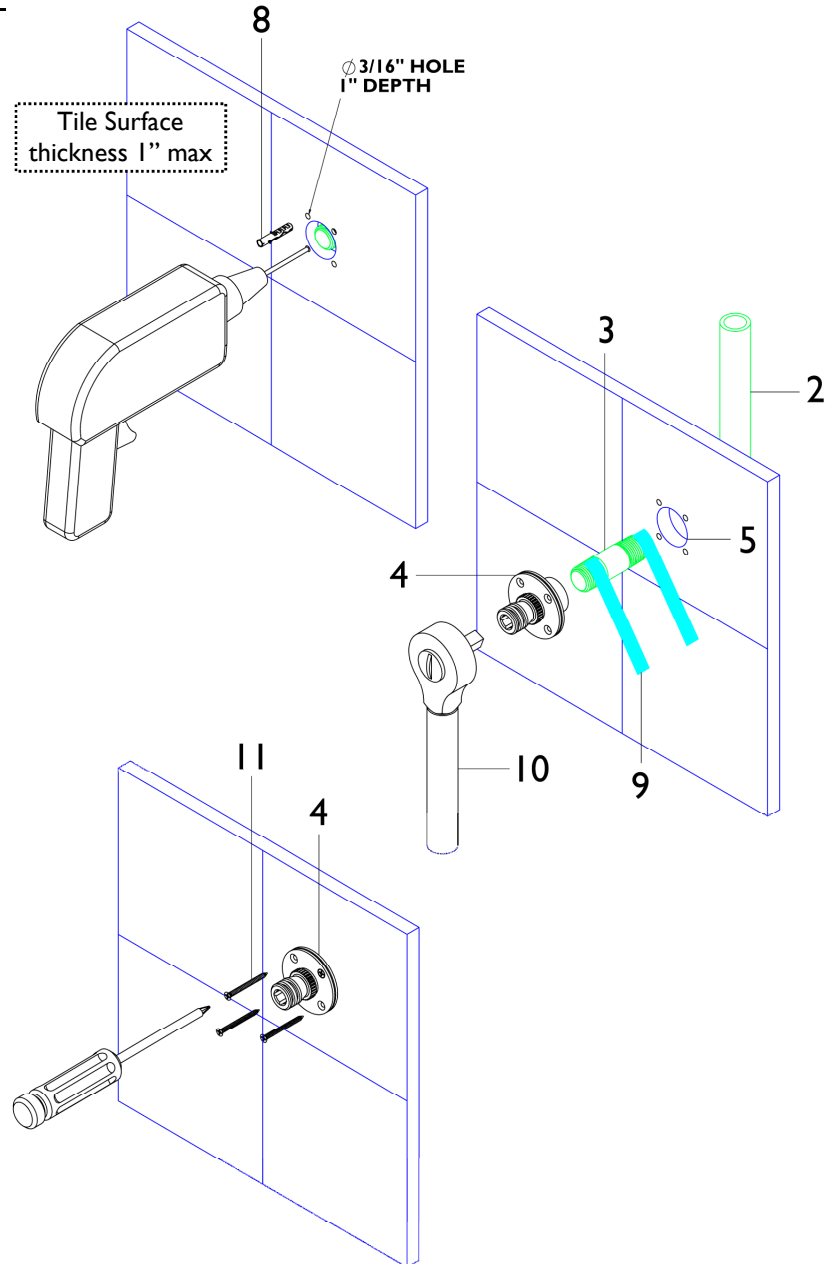
3 INSTALLING QUICK CONNECT

Tile Surface (thickness 1" max)

- Using 3/16" drill bit, drill to depth of 1" and install ANCHOR (8)

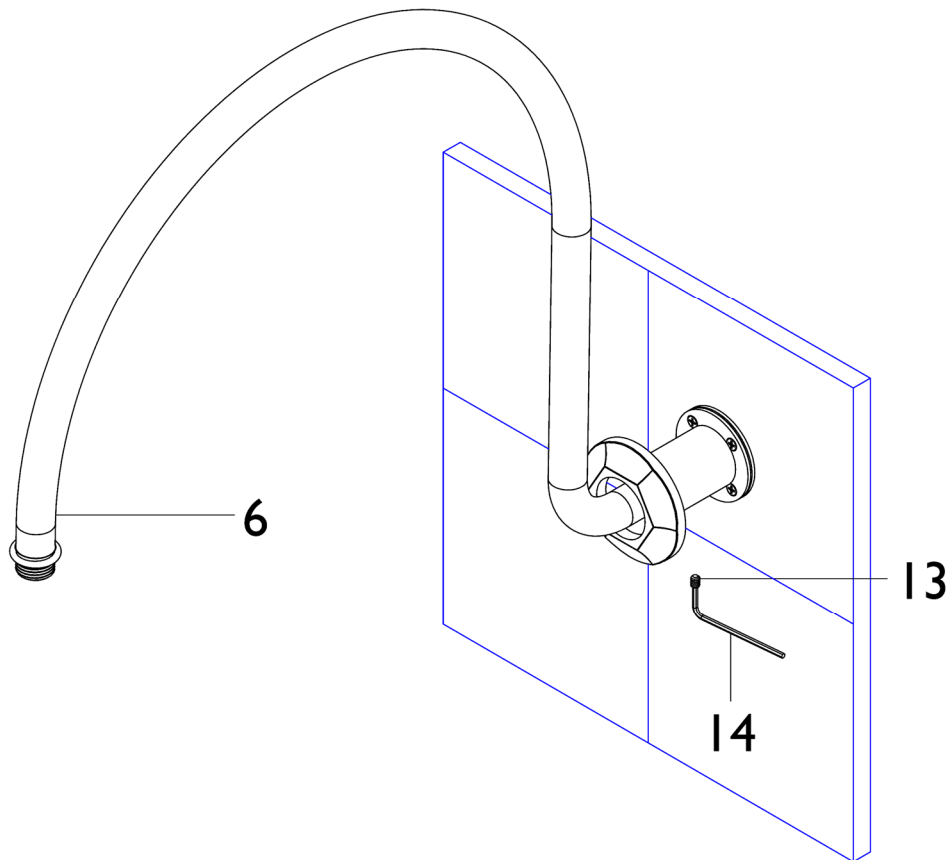
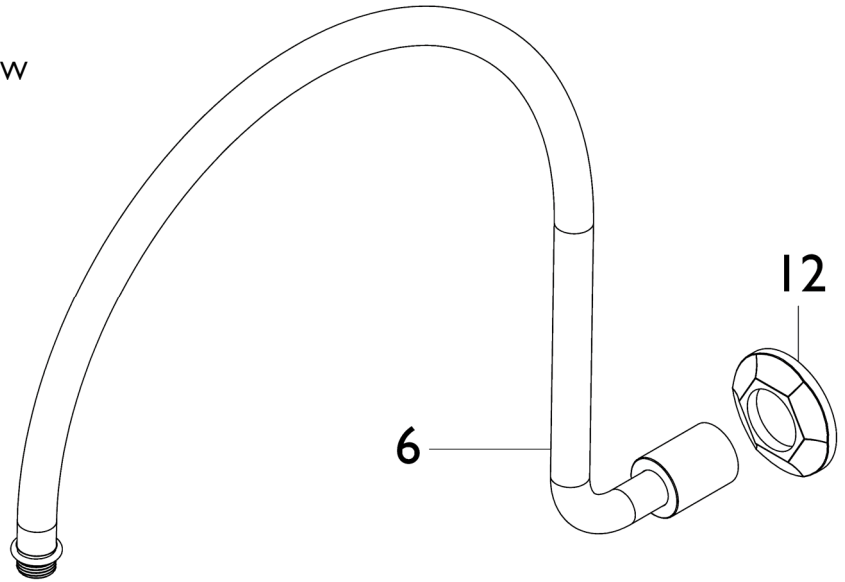
Warning: When using drill, it is the **RESPONSIBILITY** of the **INSTALLER** to ensure that all precautions are taken to prevent accidental puncturing of supply PIPE (2) from occurring during installation

- Apply 3 wraps of Teflon TAPE (9) on 1/2" NPT NIPPLE (3) threads and thread into quick CONNECT (4)
- Apply 3 wraps of Teflon TAPE (9) to other end of 1/2" NIPPLE (3) and insert through finished wall OPENING (5)
- Insert 3/8" drive WRENCH (10) into end of quick CONNECT (4) and securely tighten into supply PIPE (2)
- Secure quick CONNECT (4) in place with all four SCREWS (11) provided



4 ATTACHING ARM TO WALL

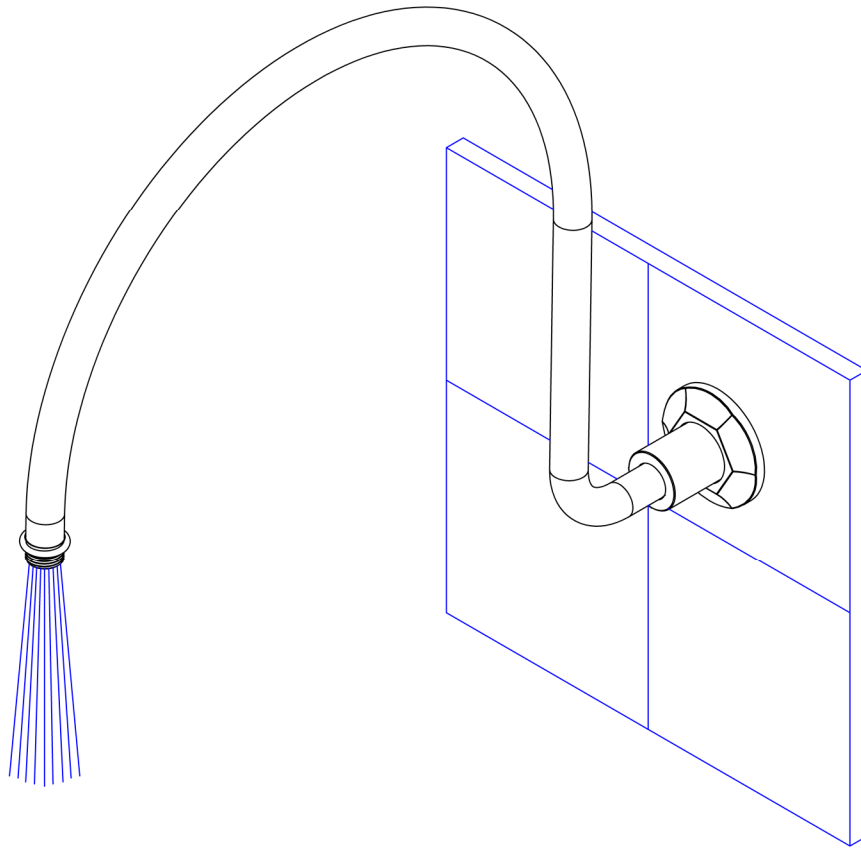
- Slide base RING (12) onto inlet of ARM (6)
- Place ARM (6) onto quick CONNECT (4)
- Secure ARM (6) in place by tightening SETSCREW (13) with KEY (14)
- Slide base RING (12) against finished wall



5

FLUSHING SYSTEM

- Before attaching any showerhead, turn on shower and flush arm for 2 minutes; check for any leaks at all fittings



9107-47 SHOWN